

Valves series A1

1/8", 5/2, manually operated, spring return with air assist



| Standard executions | | | |
|--|--------|--------|-------------|
| Version | Symbol | Code | Item |
| 5/2 red head, push button, 1 position | | 034094 | A1MA150FR |
| 5/2 red head push button, 2 positions | | 034183 | A1MA151FR |
| 5/2 green head push button, 1 position | | 034095 | A1MA150FV |
| 5/2 black head push button, 1 position | | 034096 | A1MA150FN |
| 5/2 red recessed button, 1 position | | 034097 | A1MA150BR |
| 5/2 green recessed button, 1 position | | 034098 | A1MA150BV |
| 5/2 black recessed button, 1 position | | 034099 | A1MA150BN |
| 5/2 red head push button 90°, 1 position | | 036053 | A1MA150FR90 |
| 5/2 green head push button 90°, 1 position | | 036054 | A1MA150FV90 |
| 5/2 black head push button 90°, 1 position | | 036055 | A1MA150FN90 |
| 5/2 red head push button 90°, 2 positions | | 036057 | A1MA151FR90 |
| 5/2 red recessed button 90°, 1 position | | 036058 | A1MA150BR90 |
| 5/2 green recessed button 90°, 1 position | | 036059 | A1MA150BV90 |
| 5/2 black recessed button 90°, 1 position | | 036060 | A1MA150BN90 |
| 5/2 black selector 90°, 2 positions | | 036061 | A1MA151SB90 |

| Options | Suffix |
|-------------------------------------|--------|
| Low temperature seals (-25 ÷ +60°C) | BT |



On request, they can be supplied according to 2014/34/EU - ATEX



Series of spool valves, with static seals, high flow, for panel or sub-base mounting.

Code key

| Series | Actuation | Size | Function | Configuration | Options |
|--------|-------------|--------|---|---|----------------------|
| A1 | MA = Manual | 1=1/8" | 50 = 5/2 spring return 51 = 5/2 two stable positions | FR = red head push button FV = green head push button FN = black head push button BR = red recessed button BV = green recessed button BN = black recessed button FR90 = red head push button 90° FV90 = green head push button 90° FN90 = black head push button 90° BR90 = red recessed button 90° BV90 = green recessed button 90° BN90 = black recessed button 90° SB90 = black selector 90° | BT = low temp. seals |

| Technical data | |
|-------------------|---|
| Fluid | Compressed filtered air with or without lubrication. Lubrication, if started, must be continued. |
| Pressure range | 0 ÷ 10 bar |
| Temperature range | -10°C ÷ +80°C (standard) -25°C ÷ +60°C (BT) |
| Orifice | 6,5 mm |
| Flow | 650 NI/min at 6 bar with ΔP 1 bar |
| Mounting | In any position |
| Materials | Body: Anodised aluminium Cover: Anodised aluminium Bottom plates: Hostaform C 13031 Spool: Hard aluminium anodized Distancers: Ixef 1022 Seals: Hydrogenated Nitrile Butadiene Rubber (HNBR) Lever: Steel / Plastic |



Valves series A1

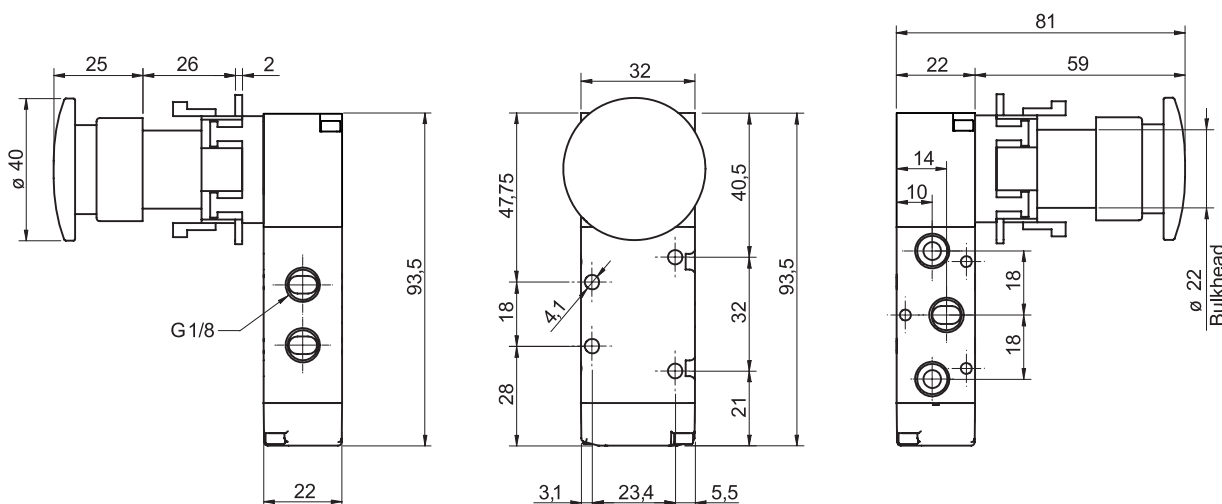
1/8", 5/2, manually operated, spring return with air assist



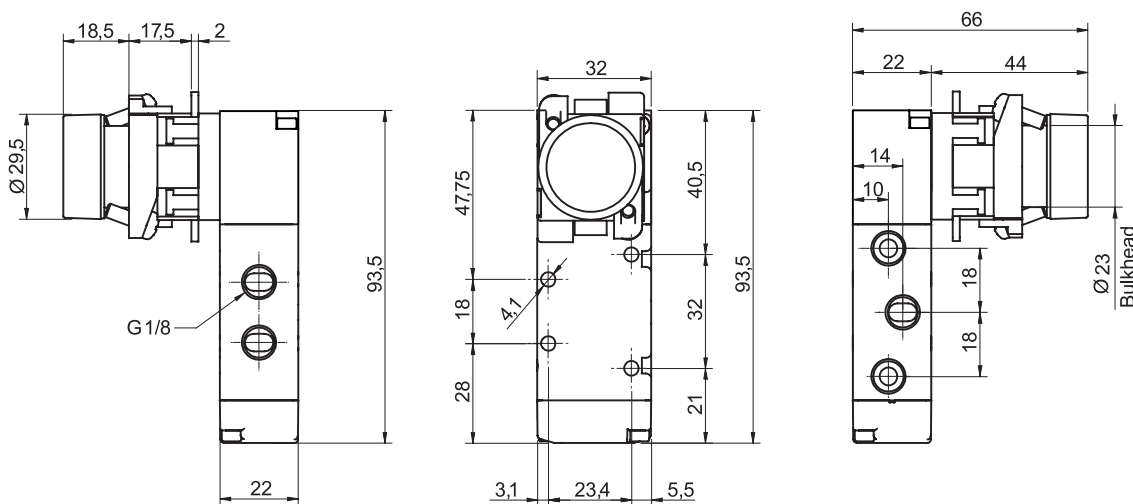
| Version | Symbol | Code | Item |
|--|--------|--------|-----------|
| 5/2 red head, push button, 1 position | | 034094 | A1MA150FR |
| 5/2 red head push button, 2 positions | | 034183 | A1MA151FR |
| 5/2 green head push button, 1 position | | 034095 | A1MA150FV |
| 5/2 black head push button, 1 position | | 034096 | A1MA150FN |

| Version | Symbol | Code | Item |
|---------------------------------------|--------|--------|-----------|
| 5/2 red recessed button, 1 position | | 034097 | A1MA150BR |
| 5/2 green recessed button, 1 position | | 034098 | A1MA150BV |
| 5/2 black recessed button, 1 position | | 034099 | A1MA150BN |

Valves series A1
1/8", 5/2, manually operated, spring return with air assist

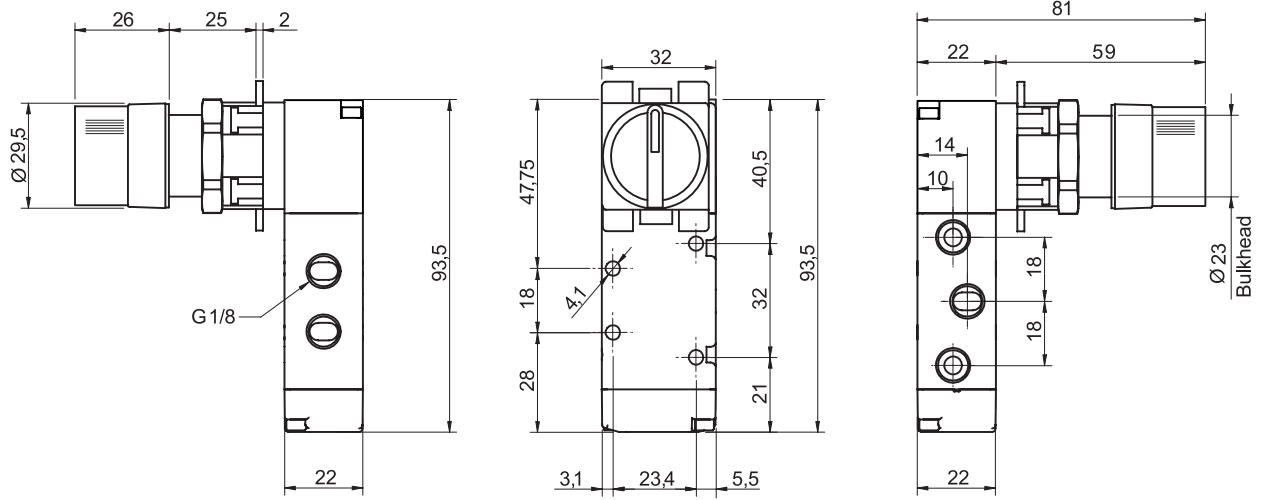


| Version | Symbol | Code | Item |
|--|--------|--------|-------------|
| 5/2 red head push button 90°, 1 position | | 036053 | A1MA150FR90 |
| 5/2 green head push button 90°, 1 position | | 036054 | A1MA150FV90 |
| 5/2 black head push button 90°, 1 position | | 036055 | A1MA150FN90 |
| 5/2 red head push button 90°, 2 positions | | 036057 | A1MA151FR90 |



| Version | Symbol | Code | Item |
|--|--------|--------|-------------|
| 5/2 red recessed button 90°, 2 positions | | 036058 | A1MA150BR90 |
| 5/2 green recessed button 90°, 2 positions | | 036059 | A1MA150BV90 |
| 5/2 black recessed button 90°, 2 positions | | 036060 | A1MA150BN90 |

Valves series A1
 1/8", 5/2, manually operated, spring return with air assist



| Version | Symbol | Code | Item |
|-------------------------------------|--------|--------|-------------|
| 5/2 black selector 90°, 2 positions | | 036061 | A1MA151SB90 |