

Valves series A1

1/8", 5/3, manually operated, open centres



Standard executions			
Version	Symbol	Code	Item
5/3, top lever open centres spring return		034662	A1MA171LT
5/3, top lever open centres 3 positions		034663	A1MA174LT



Series of spool valves, with static seals, high flow.

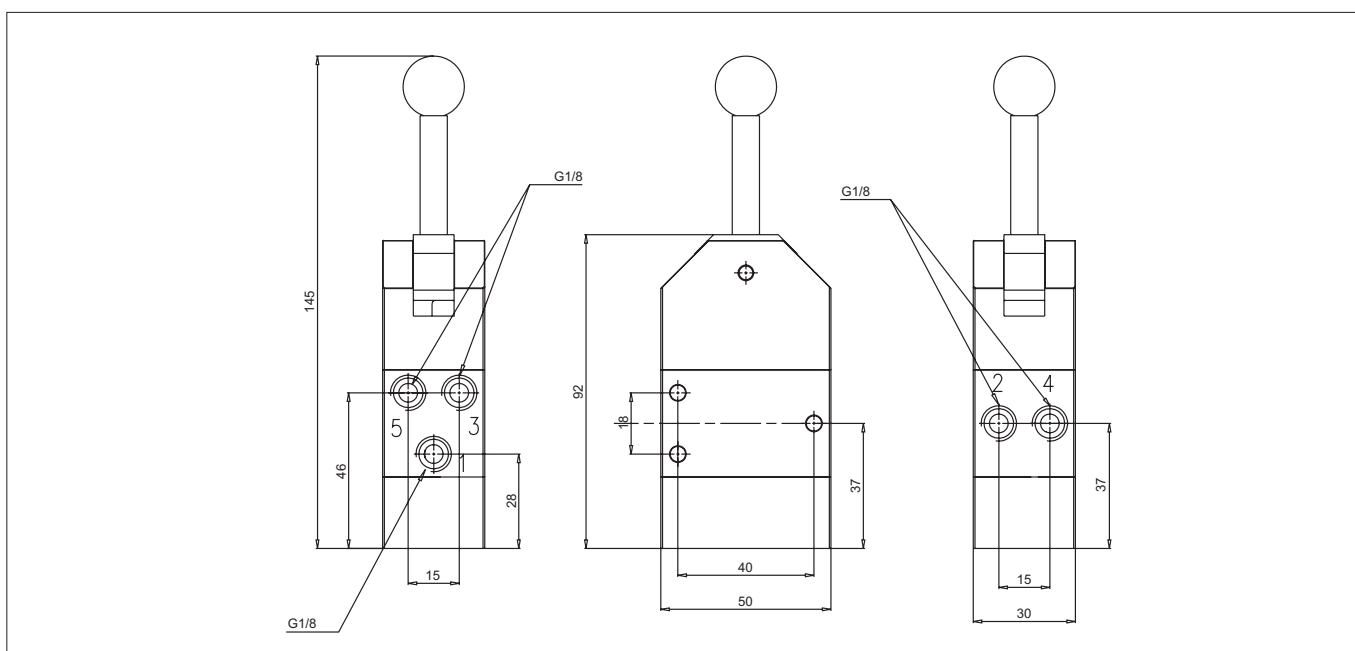
Options	Suffix
Low temperature seals (-25 ÷ +60°C)	BT

Code key



On request, they can be supplied according to 2014/34/EU - ATEX

Series	Actuation	Size	Function	Configuration	Options
A1	MA = Manual	1=1/8"	71 = 5/3 CA spring return 74 = 5/3 CA 3 positions	LT = top lever	BT = low temp. seals



Technical data	
Fluid	Compressed filtered air with or without lubrication. Lubrication, if started, must be continued.
Pressure range	0 ÷ 10 bar
Temperature range	-10°C ÷ +80°C (standard) -25°C ÷ +60°C (BT)
Orifice	6,5 mm
Flow	650 NI/min at 6 bar with ΔP 1 bar
Mounting	In any position
Materials	Body: Aluminium anodized Cover: Aluminium anodized End cap: Aluminium anodized Spool: Chemical nickel plated aluminium Distancers: Ixef 1022 Seals: Hydrogenated Nitrile Butadiene Rubber (HNBR) Lever: Steel