

Valves series A1

1/4", 3/2, manually operated



Standard executions			
Version	Symbol	Code	Item
3/2 NC side lever, 1 position		034077	A1MA230LL
3/2 side lever, 2 positions		034076	A1MA232LL
3/2 top lever, 2 positions		034100	A1MA232LT
3/2 NC push-pull, 1 position		034103	A1MA230TT
3/2 push-pull, 2 positions		034104	A1MA232TT



Series of spool valves, with static seals, high flow, for panel or sub-base mounting.

Options	Suffix
Low temperature seals (-25 ÷ +60°C)	BT

Code key

Series	Actuation	Size	Function	Configuration	Options
A1	MA = Manual	2= 1/4"	30 = 3/2 NC spring return 32 = 3/2 two stable positions	LL = side lever LT* = top lever TT = push-pull	BT = low temp. seals

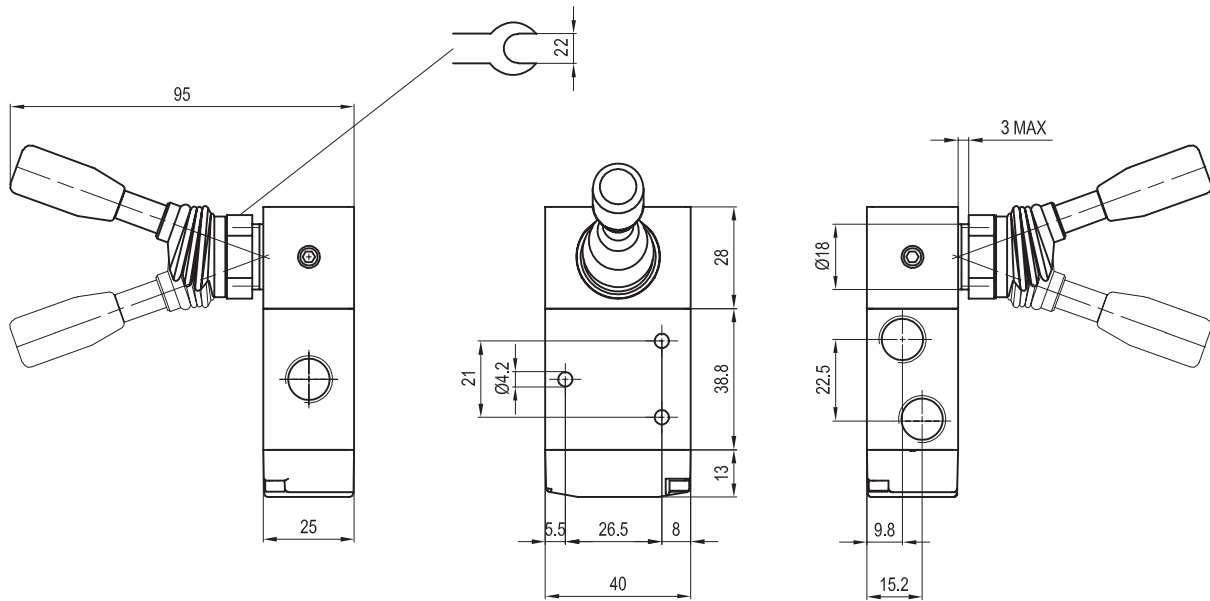
* only for 3/2 two stable positions (32)

CE **II 2Gc IIB T5**
II 2Dc T100°C

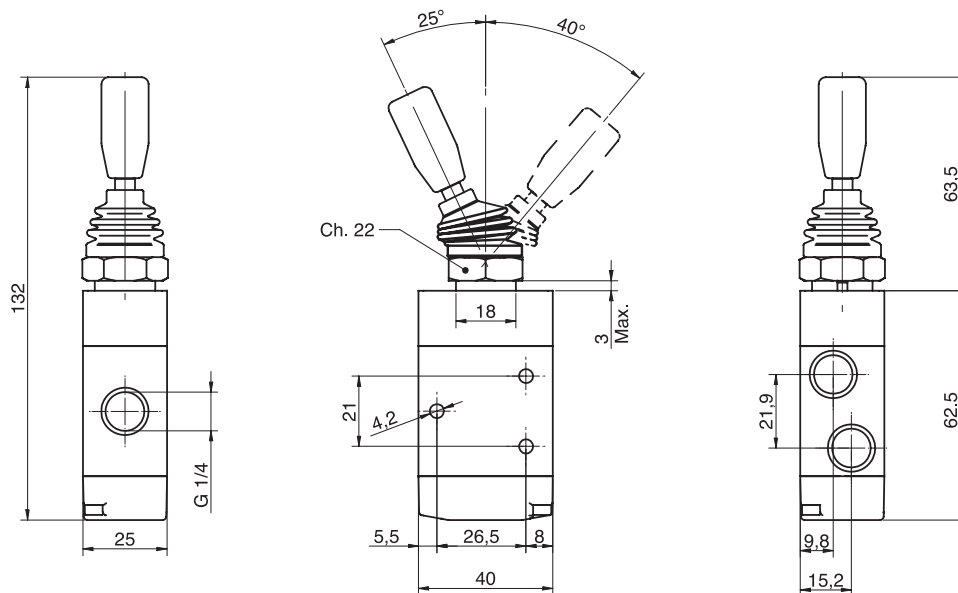
On request, they can be supplied according to 2014/34/EU - **ATEX**

Technical data															
Fluid	Compressed filtered air with or without lubrication. Lubrication, if started, must be continued.														
Pressure range	0 ÷ 10 bar														
Temperature range	-10°C ÷ +80°C (standard) -25°C ÷ +60°C (BT)														
Orifice	8 mm														
Flow	1100 NI/min at 6 bar with ΔP 1 bar														
Mounting	In any position														
Materials	<table> <tr> <td>Body:</td> <td>Aluminium anodized</td> </tr> <tr> <td>Cover:</td> <td>Aluminium anodized</td> </tr> <tr> <td>Bottom plates:</td> <td>Hostaform C 13031</td> </tr> <tr> <td>Spool:</td> <td>Chemical nickel plated aluminium</td> </tr> <tr> <td>Distancers:</td> <td>Ixef 1022</td> </tr> <tr> <td>Seals:</td> <td>Hydrogenated Nitrile Butadiene Rubber (HNBR)</td> </tr> <tr> <td>Lever:</td> <td>Steel</td> </tr> </table>	Body:	Aluminium anodized	Cover:	Aluminium anodized	Bottom plates:	Hostaform C 13031	Spool:	Chemical nickel plated aluminium	Distancers:	Ixef 1022	Seals:	Hydrogenated Nitrile Butadiene Rubber (HNBR)	Lever:	Steel
Body:	Aluminium anodized														
Cover:	Aluminium anodized														
Bottom plates:	Hostaform C 13031														
Spool:	Chemical nickel plated aluminium														
Distancers:	Ixef 1022														
Seals:	Hydrogenated Nitrile Butadiene Rubber (HNBR)														
Lever:	Steel														

Valves series A1
1/4", 3/2, manually operated

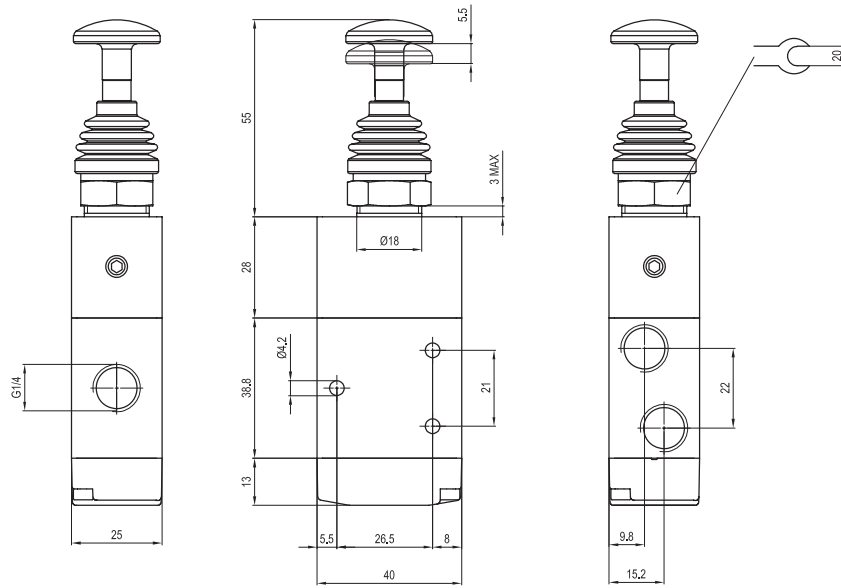


Version	Symbol	Code	Item
3/2 NC side lever, 1 position		034077	A1MA230LL
3/2 side lever, 2 positions		034076	A1MA232LL



Version	Symbol	Code	Item
3/2 top lever, 2 positions		034100	A1MA232LT

Valves series A1
1/4", 3/2, manually operated



Version	Symbol	Code	Item
3/2 NC push-pull, 1 position		034103	A1MA230TT
3/2 push-pull, 2 positions		034104	A1MA232TT

2