

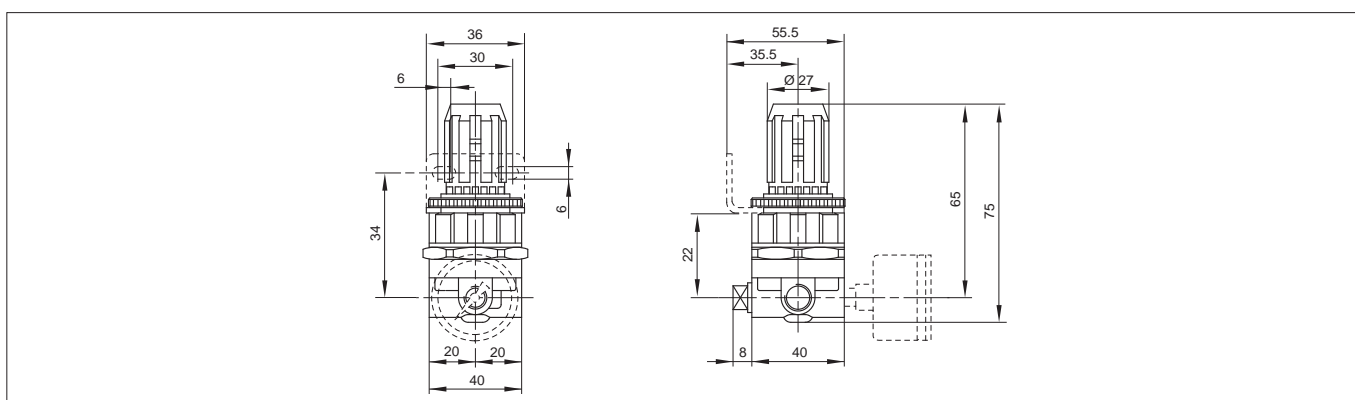
Standard executions			
Version	Symbol	Code	Item
1/4"		090305	AC400-1/4RR

Technical data	
Fluid	Compressed air
Pressure	Max 10 bar
Regulation range	0.5 ÷ 8 bar
Flow	500 l/min
Temperature	0 ÷ 60°C
Materials	Knob: Acetal resin Body: Brass Seals: Nitrile rubber (NBR)



Series of microregulators, standard with relieving valve. Used to reduce and keep constant the out pressure. Standard without gauge.

For gauges see page 3.50.1.  
For mounting bracket see page 3.5.4 (SR700-400).



Standard executions			
Version	Symbol	Code	Item
1/8"		090307	AC700-1/8RR
1/4"		090306	AC700-1/4RR

Technical data	
Fluid	Compressed air
Pressure	Max 15 bar
Regulation range	0,5 ÷ 8,5 bar
Flow	1/8" = 390 l/min - 1/4" = 420 l/min
Temperature	0 ÷ 60°C
Materials	Knob: Acetal resin Body: Zinc Seals: Nitrile rubber (NBR)



Series of microregulators, compact design, full flow gauge port. Standard relieving models, snap action knob locks pressure setting when pushed in. Standard without gauge.

For gauges see page 3.50.1.  
For mounting bracket see page 3.5.4 (SR700-400).

