

# Valves series A1N - Intrinsic safety Ex ia 1/4", 3/2 - 5/2, NAMUR interface, electrically operated Ex ia



Standard executions		
Version	Symbol	Code
3/2 NC		For code key see table below
3/2 solenoid/solenoid		
5/2 solenoid/spring		
5/2 solenoid/solenoid		



Options	Suffix
Low temperature seals	BT

Series of spool valves, with static seals, high flow, for mounting on NAMUR interface

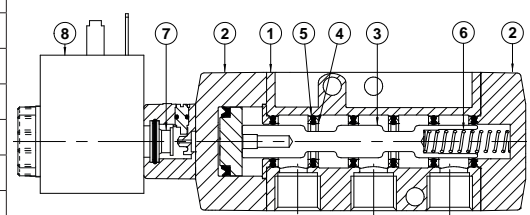
Low consumption solenoid operator, conforming to 2014/34/EU Directive, certified:

- II 2G Ex ia IIC T6 Gb
- II 2D Ex tb IIIC T80°C Db X IP65
- II 2G Ex ia IIC T4 Gb
- II 2D Ex tb IIIC T80°C Db X IP65

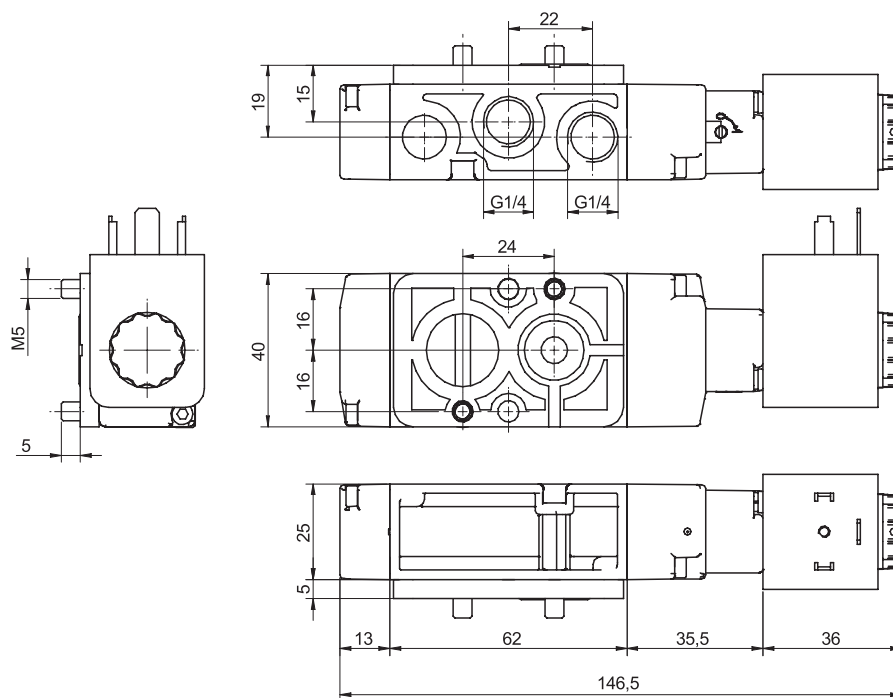
Coil and connector included.

Code key						
Series	Actuation	Size	Function	Hazardous areas	Voltages	Options
A1N = NAMUR	E = electrical Ø9	2 = 1/4 Gas	30 = 3/2 NC 32 = 3/2 solenoid/solenoid 50 = 5/2 solenoid/spring 51 = 5/2 solenoid/solenoid	XA = II 2G Ex ia IIC T6 Gb II 2D Ex tb IIIC T80°C Db X IP65 XA1 = II 2G Ex ia IIC T4 Gb II 2D Ex tb IIIC T80°C Db X IP65	C = 24 VDC	BT = low temp. seals

Technical data						
Fluid	Compressed filtered air with or without lubrication. Lubrication, if started, must be continued.					
Threaded connection	1/4 Gas					
Pressure range	Spring return: 2 ÷ 7 bar			Bistable: 2 ÷ 7 bar		
Minimum external air pressure	2 bar					
Temperature range	-10°C ÷ +60°C (XA standard)		-10°C ÷ +50°C (XA1 standard)		-25°C ÷ +60°C (XA BT)	-25°C ÷ +50°C (XA1 BT)
Protection grade	IP 65					
Ø Orifice	7 mm					
Flow	1.000 NI/min a 6 bar con ΔP 1 bar					
Mounting	In any position (vertical assembly is not recommended for bistable valves subjected to vibration)					
Manual override	Bistable					
Electrical characteristics	Nominal voltage	21.6 ÷ 28 VDC		21.6 ÷ 28 VDC		
	Max voltage	28 VDC		28 VDC		
	Nominal current	0.115 A (at 28 VDC)		0.115 A (at 28 VDC)		
	Nominal power	1.6 W (at 28 VDC)		1.6 W (at 28 VDC)		
	Duty cycle	100% ED		100% ED		
	Temp. class	T6		T4		
Response time (at 6 bar)	Energising: - ms		Energising: - ms		Energising: - ms	
	De-energising: - ms		De-energising: - ms		De-energising: - ms	
Materials	① Body:	Die-cast painted aluminium				
	② Cover:	Hostaform C 13031				
	③ Spool:	Hard aluminium anodized				
	④ Distancers:	Ixef 1022				
	⑤ Seals:	Hydrogenate Nitrile Butadine Rubber (HNBR)				
	⑥ Spring:	Stainless steel				
	⑦ Operator:	Brass				
	⑧ Coil:	Thermoset resin				

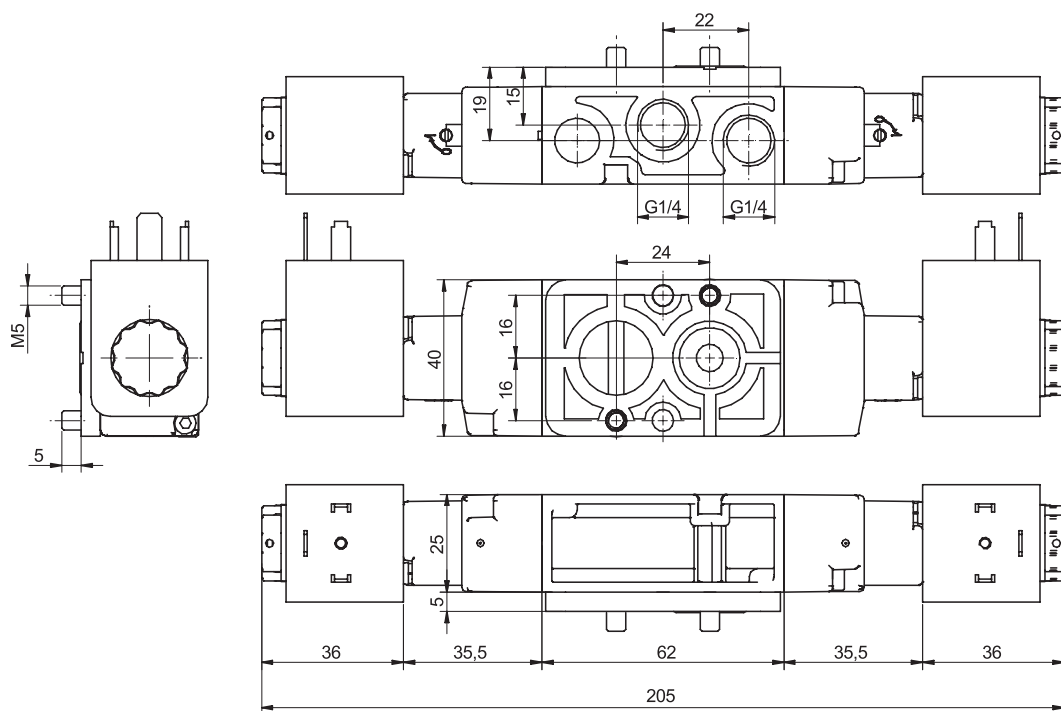


Valves series A1N - Intrinsic safety Ex ia  
 1/4", 3/2 - 5/2, NAMUR interface, electrically operated Ex ia



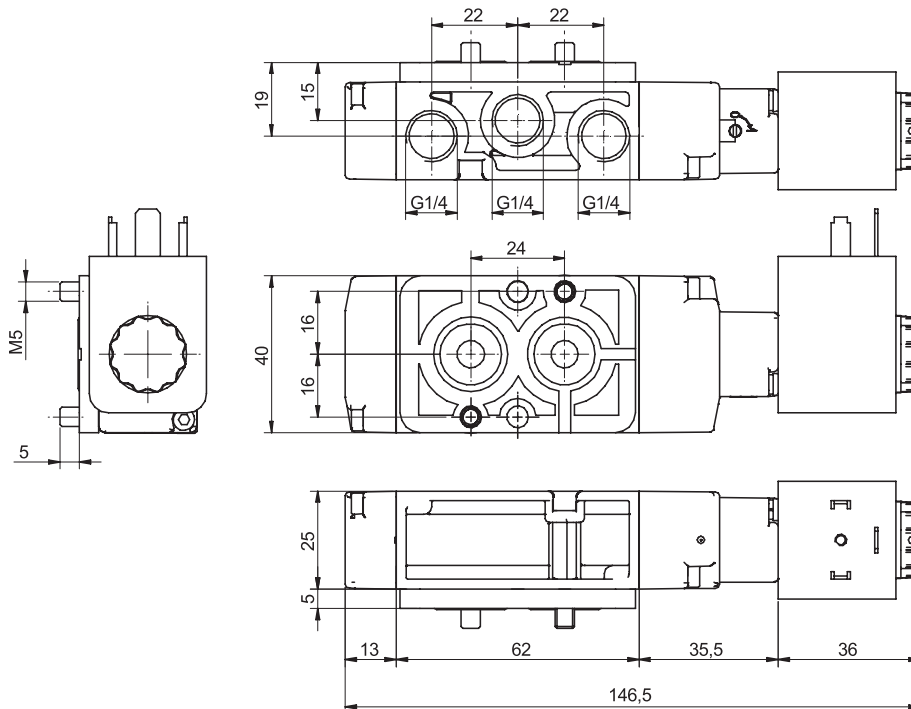
Version	Symbol	Code	Item
3/2 NC			A1NE230XA*

\* For coil voltage: see code key at page 2.88.40



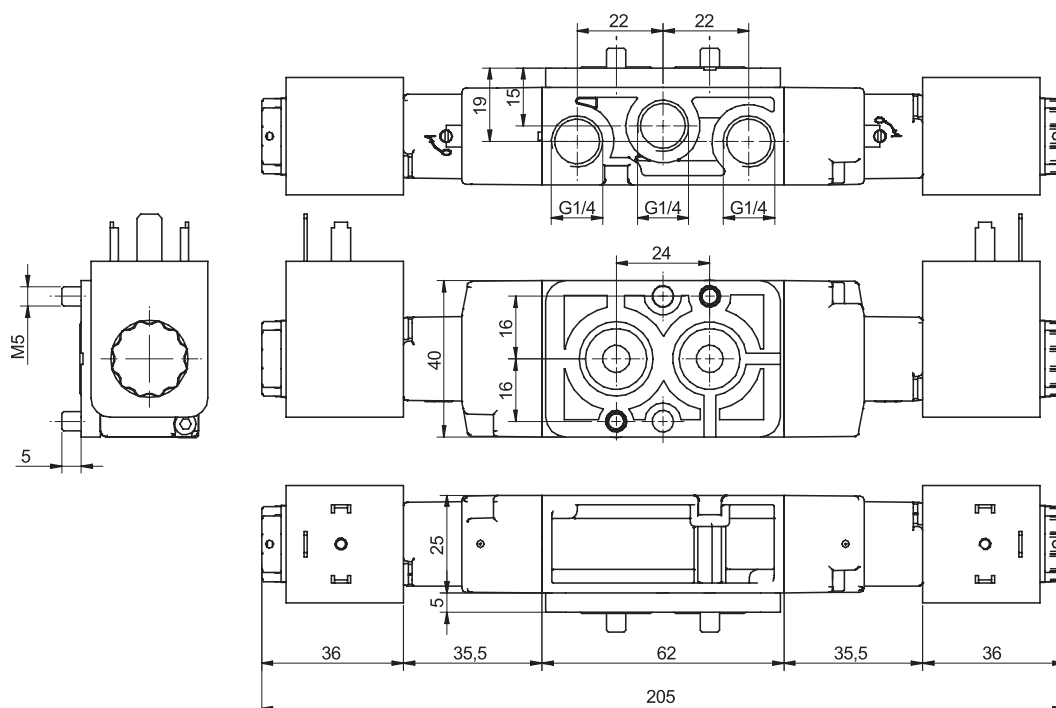
Version	Symbol	Code	Item
3/2 solenoid/solenoid			A1NE232XA*

\* For coil voltage: see code key at page 2.88.40



Version	Symbol	Code	Item
5/2 solenoid/spring			A1NE250XA*

\* For coil voltage: see code key at page 2.88.40



Version	Symbol	Code	Item
5/2 solenoid/solenoid			A1NE251XA*

\* For coil voltage: see code key at page 2.88.40