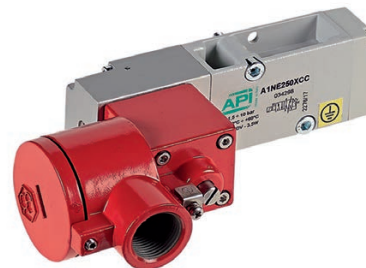


Valves series A1N - Flameproof coil Ex db 1/4", 3/2 - 5/2, NAMUR interface, electrically operated Ex db



Standard executions		
Version	Symbol	Code
3/2 NC		For code key see table below
3/2 solenoid/solenoid		
5/2 solenoid/spring		
5/2 solenoid/solenoid		



Options	Suffix
Low temperature seals	-20°C ÷ +60°C BT

Series of spool valves, with static seals, high flow, for mounting on NAMUR interface

Flameproof solenoid operator is used extensively to prevent possible overheating or sparking of electrical equipment causing ignition in potentially explosive atmosphere.

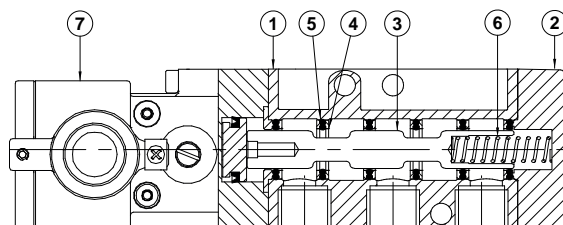
Flameproof solenoid coil is enclosed in a robust enclosure which will contain an internal explosion should it occur and prevent its transmission to the surrounding atmosphere.

All construction joints in the enclosure are known as flame paths which prevent the transmission of a flame from the enclosure to the outside atmosphere.

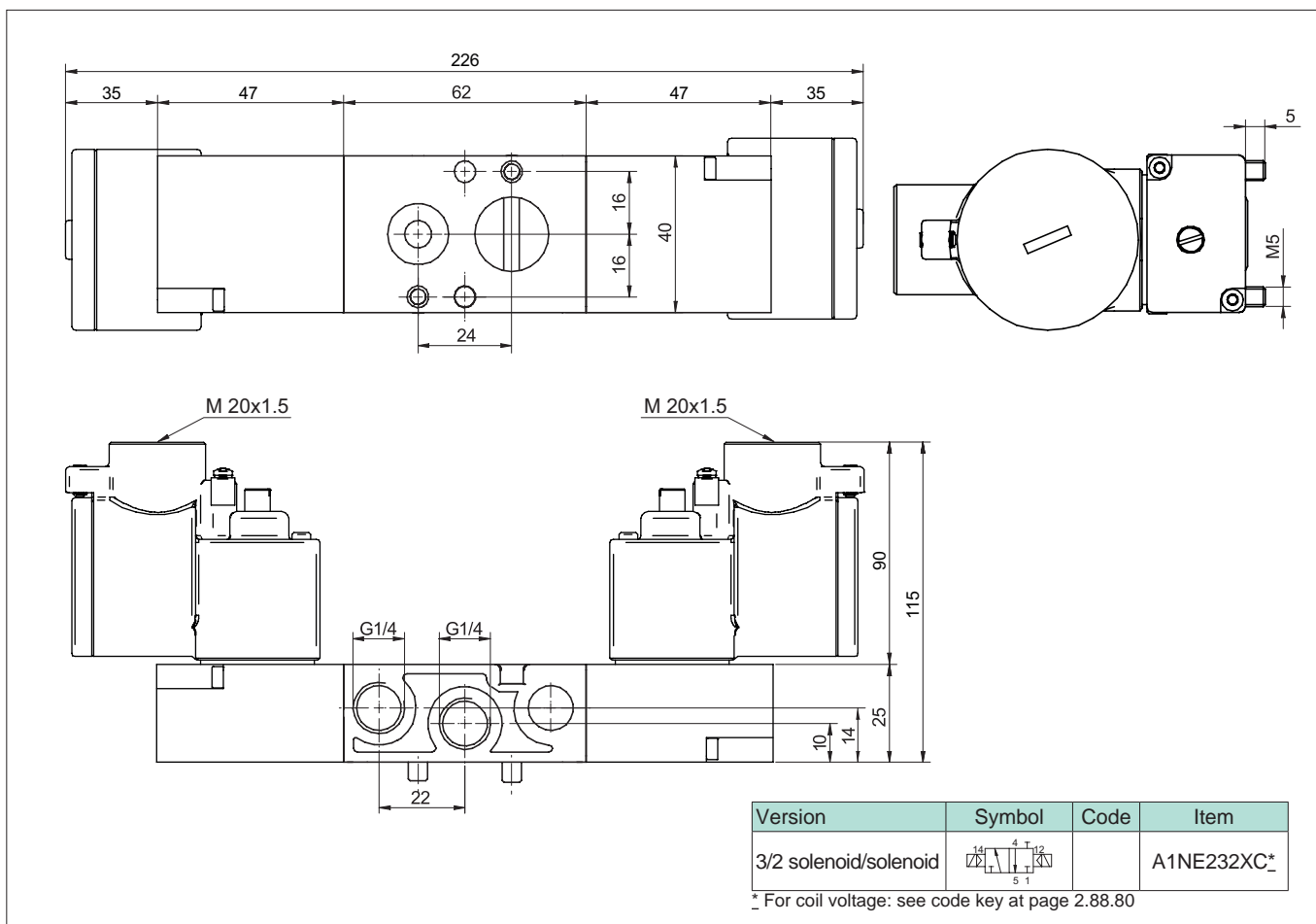
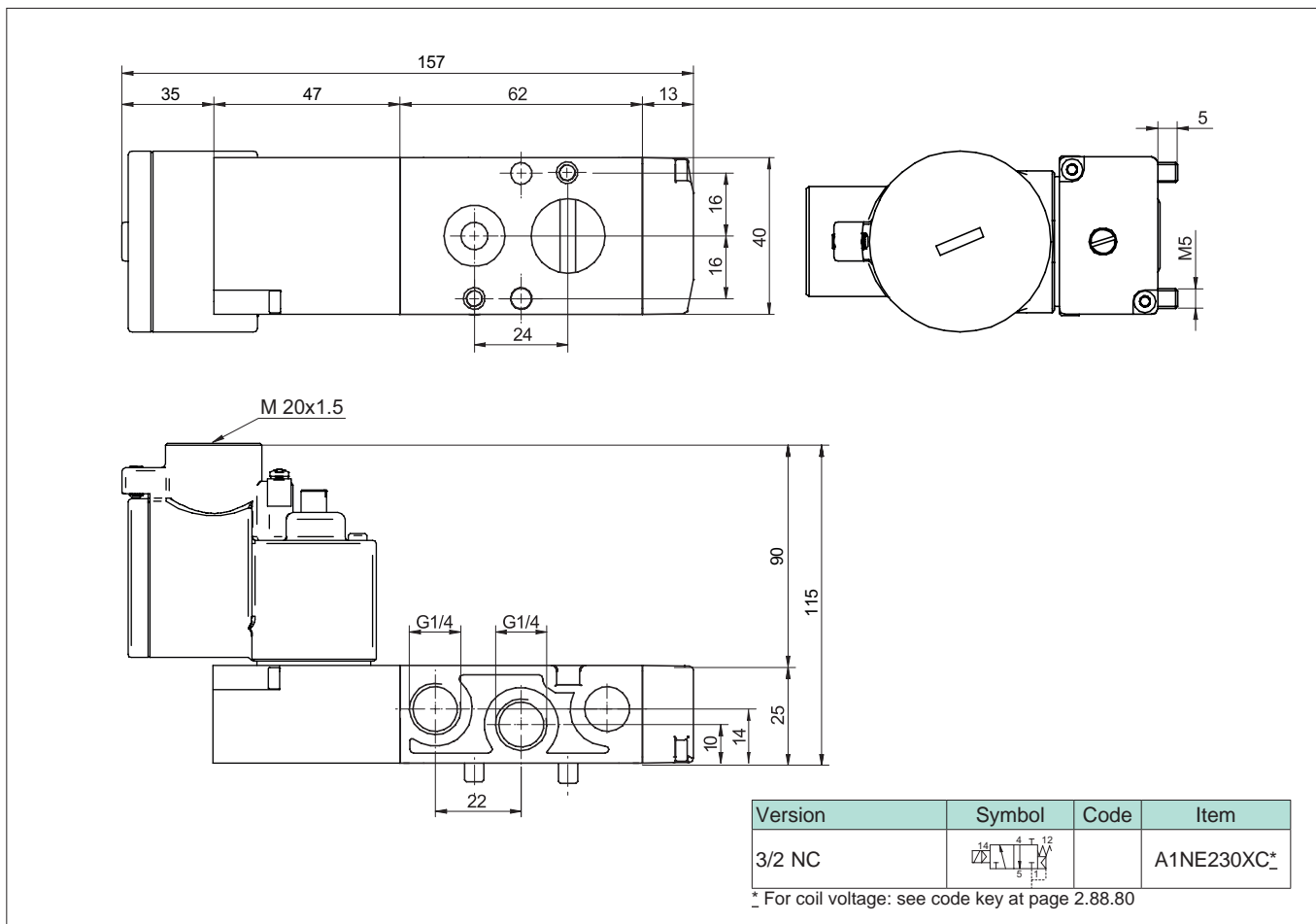
II 2G Ex db IIC T6 Gb

Code key							
Series	Actuation	Size	Function	Hazardous areas	Voltages		Options
A1N = NAMUR	E = electrical Ø9	2 = 1/4 Gas	30 = 3/2 NC 32 = 3/2 solenoid/solenoid 50 = 5/2 solenoid/spring 51 = 5/2 solenoid/solenoid	XC = II 2G Ex db IIC T6 Gb	B = 12 VDC C = 24 VDC *	F = 24 VAC * I = 110 VAC M = 120 VAC * O = 220 VAC * Q = 240 VAC	BT = low temp. seals
					* = Standard voltages		

Technical data									
Fluid		Compressed filtered air with or without lubrication. Lubrication, if started, must be continued.							
Threaded connection		1/4 Gas							
Pressure range		Spring return: 2 ÷ 8 bar				Bistable: 2 ÷ 8 bar			
Temperature range		-10°C ÷ +60°C (standard)				-20°C ÷ +60°C (BT)			
Protection grade		-							
Ø Orifice		7 mm							
Flow		1.000 NI/min a 6 bar con ΔP 1 bar							
Mounting		In any position (vertical assembly is not recommended for bistable valves subjected to vibration)							
Manual override		Bistable							
Electrical characteristics	Nominal voltage	12 VDC	24 VDC	24 VAC	110VAC	120 VAC	220 VAC	240 VAC	
	Frequency	-	-	50 / 60 Hz	50 / 60 Hz	50 / 60 Hz	50 / 60 Hz	50 / 60 Hz	
	Nominal current								
	Nominal power	3.5 W	3.5 W	4 VA	4 VA	4 VA	4 VA	4 VA	
	Duty cycle	100% ED							
	Temp. class	T6							
Response time (at 6 bar)		Energising: - ms			Energising: - ms		Energising: - ms		
		De-energising: - ms			De-energising: - ms		De-energising: - ms		
Materials	① Body:	Die-cast painted aluminium							
	② Cover:	Hostaform C 13031							
	③ Spool:	Hard aluminium anodized							
	④ Distancers:	Ixef 1022							
	⑤ Seals:	Hydrogenate Nitrile Butadine Rubber (HNBR)							
	⑥ Spring	Stainless steel							
	⑦ Operator:	Die-cast painted aluminium							



Valves series A1N - Flameproof coil Ex db
 1/4", 3/2 - 5/2, NAMUR interface, electrically operated Ex db



Valves series A1 - Flameproof coil Ex db
 1/4", 3/2 - 5/2, NAMUR interface, electrically operated Ex db

