

Standard executions		
Version	Symbol	Type
Standard		S1
Short (for light loads)		S2



Options		Suffix
Both connections on one head	from bore 25 mm.	P
Carriage with integral brake	(see page 1.26.35)	B
Special versions on request		/ S

Rodless cylinders, magnetic as standard.

Cylinders with direct power transmission through the tube slot onto the yoke. The new cushionings are adjustable at both ends; the flow rate is regulated from 0 to 100% by turning a pin of an angle of 90°. The new barrel with high resistance to deflection is provided with grooves for fixing various accessories.

The magnetic switches can be fixed by a bracket or directly in the tube; the reed switch will not protrude out the barrel profile.

The short cylinder type S2, in comparison to the standard cylinder - 0 - stroke, is up to 42% shorter; the total fitting length is therefore reduced and the cylinder is more compact and money-saving.

For the magnetic reed switches ASV-ASC see page 1.26.40.  
For mounting accessories see from page 1.26.28.

The options can be combined (when this is possible).

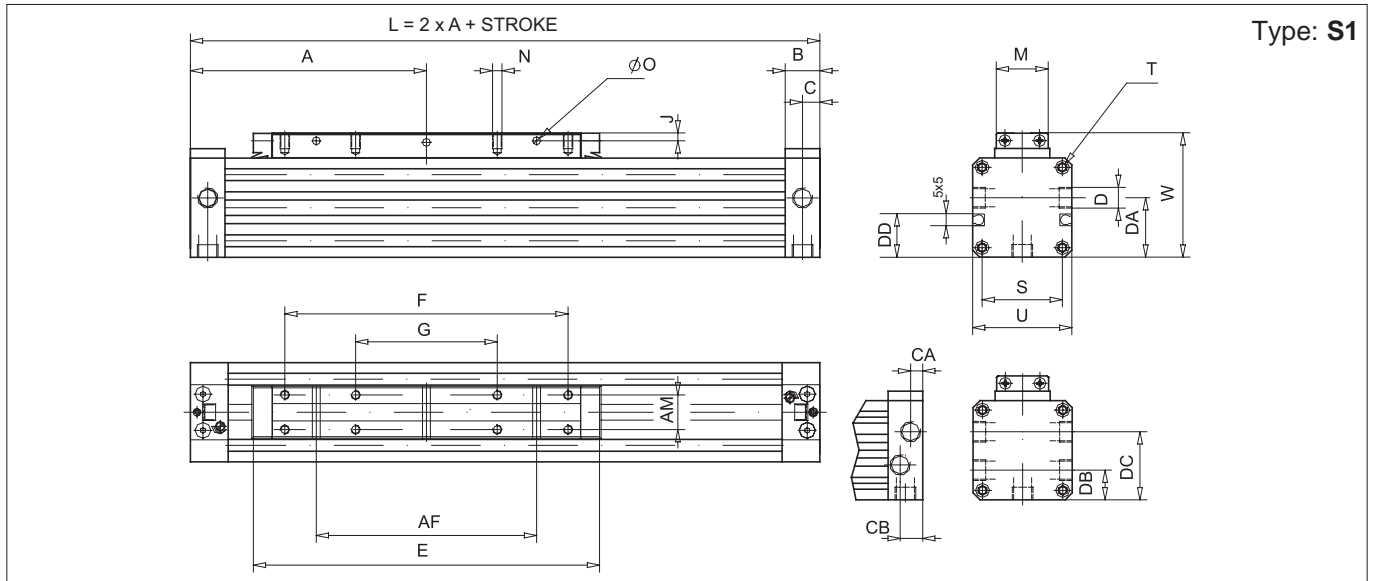
For parameters of the loads and moments see from page 1.26.25.  
For seal kits see from page 1.26.21.

How to order: 32 / 1000 S1U

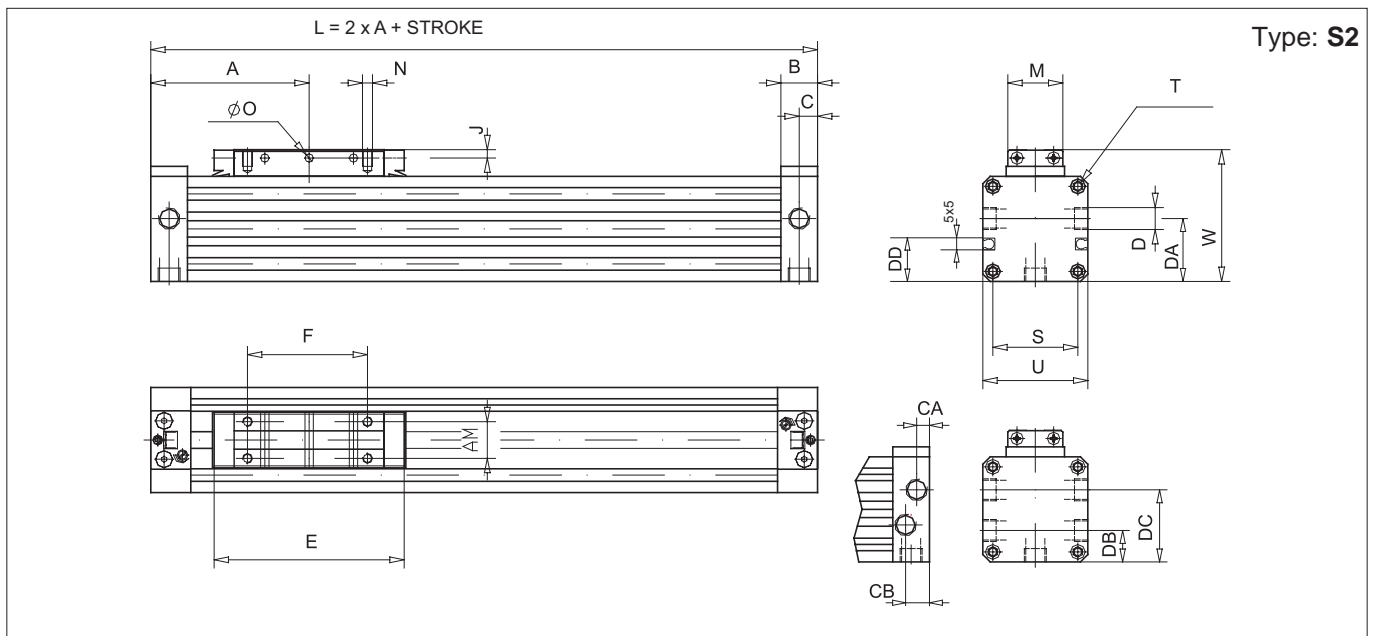
32	/	1000	S1	U
Bore	/	Stroke	Type	Option

Technical data	
Fluid	Compressed filtered air with or without lubrication. Lubrication, if started, must be continued.
Pressure	1,5 ÷ 9 bar
Temperature range	-10 °C ÷ + 70°C
Materials	Heads: Anodised aluminium Tube: Anodised aluminium Seals: Polyurethane - Piston: monobloc/yoke: Aluminium Internal strip: Nylon External strip: Stainless steel AISI 304 Raschiapolvere: PVC

Bore (mm)	Standard strokes (mm)	Max stroke (mm)	Cushion length (mm)	Theoretical force at 6 bar (N)	Weight at 0 stroke Type S1 (g)	Weight at 0 stroke Type S2 (g)	Weight for every 10 mm stroke (g)
18	from 10 to 6000	9000	15	140	300	200	15
25			18	270	600	400	26
32			24	440	1100	700	36
40			34	680	1800	1200	48
50			40	1060	3200	2000	74
63			49	1680	5600	3200	101



Ø mm	A	AF	AM	B	C	CA	CB	D	DA	DB	DC	DD	E	F	FE	G	J	M	N	Ø O	□ S	T	□ U	W
18	80	50	10	16,5	6,5	-	-	M7x1/6	15,5	-	-	-	103	75	90	-	3	15,5	M3x6	3,5	23,5	M3x7	30	39
25	100	70	13	20	8,5	7	13	G1/8x8	25,5	14	28	18,5	131	100	116	50	3,5	20	M4x7	4,5	33	M4x9	42	53
32	120	100	16	20	8,5	7	13	G1/8x8	32	16	34,5	21	171	140	156	70	4,5	25	M5x9	5,5	41	M5x10	52	65
40	150	140	22	23	13	11	14,5	G1/4x12	37,5	18,5	41	29,5	220	180	200	90	5	33	M6x10	7	51	M6x12	63	79
50	180	180	29	23	13	12	14	G1/4x12	47,5	22,5	47,5	37	280	220	260	110	6,5	42	M8x12,5	7	63	M8x12	78	96
63	215	230	40	29	13	12,5	15,5	G3/8x12	59,5	24,5	59,5	44,5	333	280	313	140	8	54	M8 x 15	9	78	M8x12	93	113,5



Ø mm	A	AF	AM	B	C	CA	CB	D	DA	DB	DC	DD	E	F	FE	J	M	N	Ø O	□ S	T	□ U	W
18	57,5	15	10	16,5	6,5	-	-	M7x1/6	17,5	-	-	-	58	30	45	3	15,5	M3x6	3,5	23,5	M3x7	30	39
25	67,5	19	13	20	8,5	7	13	G1/8x8	25,5	14	28	18,5	66	35	51	3,5	20	M4x7	4,5	33	M4x9	42	53
32	77,5	35	16	20	8,5	7	13	G1/8x8	32	17,5	34,5	21	86	55	71	4,5	25	M5x9	5,5	41	M5x10	52	65
40	95	50	22	23	13	9,5	14,5	G1/4x12	37,5	20	42	29,5	110	70	90	5	33	M6x10	7	51	M6x12	63	79
50	105	46	29	23	13	9,5	14,5	G1/4x12	47,5	26	52	37	130	70	110	6,5	42	M8x12,5	7	63	M8x12	78	96
63	125	70	40	29	13	11	18,5	G3/8x12,5	59,5	30	62	44,5	153	100	133	8	54	M8x15	9	78	M8x12	93	113,5