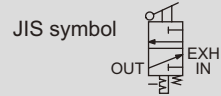


Lockout valve (OSHA compliant) standard white Series

V3010-W/V6010-W Series

Prevent residual pressure accidents in pneumatic lines.

Port size: 1/4 to 1



Specifications

Descriptions		V3010-8-W	V3010-10-W	V3010-15-W	V6010-20-W	V6010-25-W
Working fluid		Compressed air				
Max. working pressure MPa		1.0				
Withstanding pressure MPa		1.5				
Fluid temperature °C		5 to 60				
Operation lever switchover angle		90°				
Operating force	Pushing force N	80 or less				
	Torque N·m	2.5 or less				
Valve seat leakage cm ³ /min. (ANR)		10 or less				
External leakage cm ³ /min. (ANR)		10 or less				
Port size	IN-OUT	1/4	3/8	1/2	Rc 3/4	Rc1
	(Rc, NPT, G) EXH	3/8			Rc1/2	
Product weight kg		0.3			0.8	
Effective sectional area (mm ²)	IN → OUT	40	70	85	145	150
	OUT → EXH	40	50	50	105	110

OSHA: Occupational Safety and Health Administration

US Safety Standards related to worker safety are set.

<Lockout/Tagout Regulations>

When servicing or maintaining machinery, the air source shall be closed with a shut-off valve (lockout valve), and residual pressure shall be discharged. If a third party inadvertently operates the valve during such operation and compressed air is applied, the cylinder, etc., could move suddenly and injure personnel. This standard states that, "All valves used for such purposes shall have a key or a structure which can be locked with a key."

How to order

● F.R.L. 2000, 3000, 4000 Series



● F.R.L. 6000, 8000 Series



A Model no.

B Port size

C Port thread type

D Option

E Display unit

F Attachment
Note 1

⚠ Note on model no. selection

Note 1: The piping adapter set and C type bracket cannot be used together.

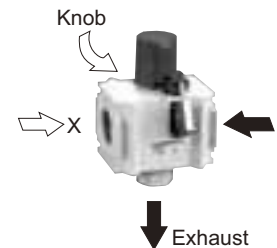
⚠ Select the reverse regulator (R*100-W) or reverse filter regulator (W*100-W) when installing the V*010-W onto the primary side of the regulator or filter regulator.

How to use

● Regular use



● During maintenance work, a lock is set where residual pressure is released.



A Model no.

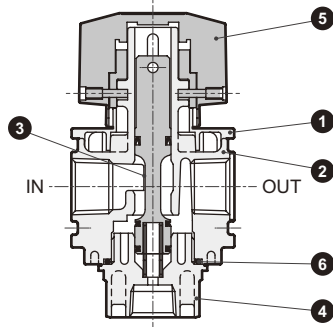
V	V
3	6
0	0
1	1
0	0

Symbol	Descriptions	V3010	V6010
B Port size			
8	1/4	●	
10	3/8	●	
15	1/2	●	
20	3/4		●
25	1		●
C Port thread type			
Blank	Rc thread	●	●
N	NPT thread	●	●
G	G thread	●	●
D Option			
Blank	None	●	●
X1	IN/OUT reverse flow (right → left)	●	●
E Display unit			
Blank	MPa display, Rc thread	●	●
J1	MPa display, NPT, G thread	●	●
F Attachment (attached)			
Blank	Without attachment	●	●
A8W	1/4 piping adapter set	●	
A10W	3/8 piping adapter set	●	
A15W	1/2 piping adapter set	●	
A20W	3/4 piping adapter set	●	●
A25W	1 piping adapter set	●	●
A32W	1 1/4 piping adapter set		●
BW	C type bracket	●	●
S	Silencer	●	●
* Adaptor screw type			
Blank	Rc thread	●	●
N	NPT thread	●	●
G	G thread	●	●

V*010-W Series

Internal structure and parts list

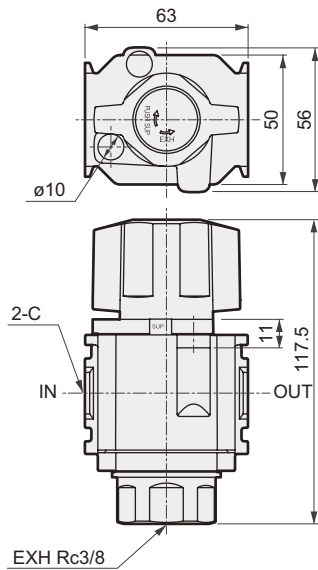
● V3010-W



No.	Part name	Material
1	Plate cover	ABS resin (Note 2)
2	Body	Aluminum alloy die-casting
3	Spool assembly	Aluminum alloy urethane rubber resin
4	Bottom plug	PBT resin (Note 1) (Note 2)
5	Knob	Aluminum alloy die-casting
6	O ring	Nitrile rubber

Note 1: The metal bottom plug is used as a custom-order part.
 Note 2: Flame resistance resin UL94 standards V-O or equivalent

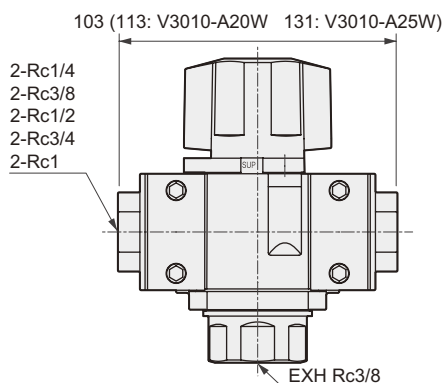
Dimensions (V3010-W)



* The EXH port is the silencer mounting port.

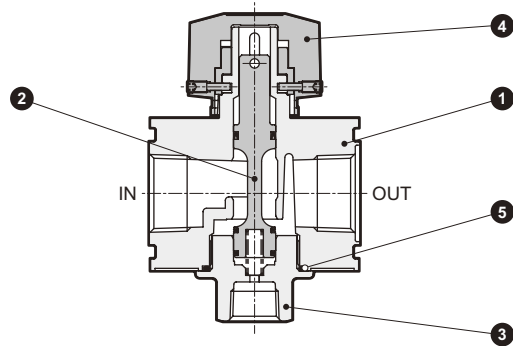
Descriptions	C
V3010-8-W	Rc1/4
V3010-10-W	Rc3/8
V3010-15-W	Rc1/2

● Adaptor attachment



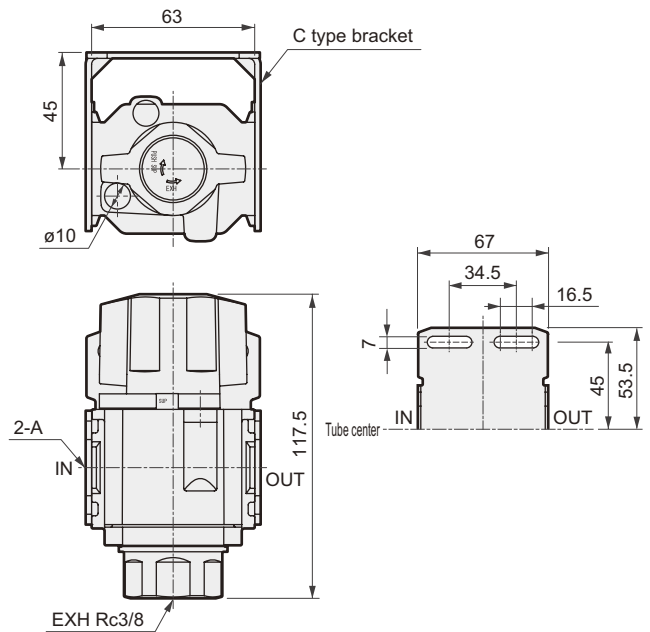
Piping adapter set is attached at shipment.

● V6010-W



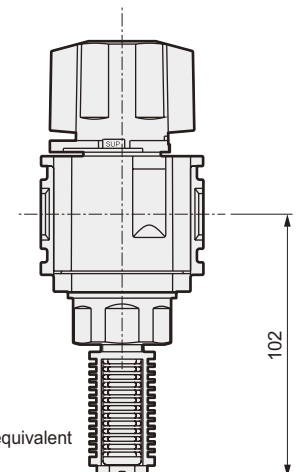
No.	Part name	Material
1	Body	Aluminum alloy die-casting
2	Spool assembly	Aluminum alloy, hydrogen nitrile rubber
3	Bottom plug	Aluminum alloy die-casting
4	Knob	Aluminum alloy die-casting
5	O ring	Nitrile rubber

● C type bracket (-BW) Part model no.: B320



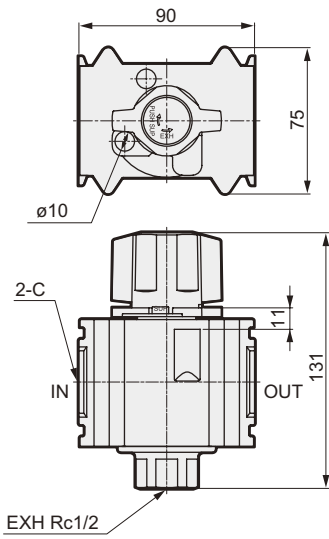
The C type bracket is attached at shipment.
 C type bracket and piping adapter set can not be used together.

● Silencer (-S) Part model no.: SLW-10A



The silencer is attached at shipment.
 The silencer is made of flame-resistant resin equivalent to UL94 Standard V-O, but the element is not.

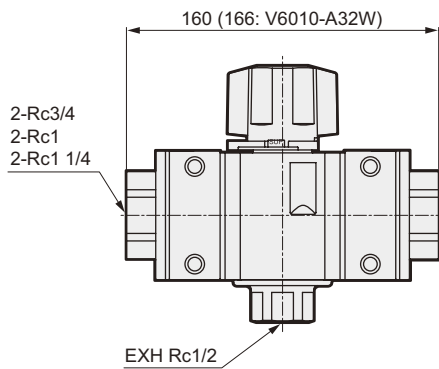
Dimensions (V6010-W)



* The EXH port is the silencer mounting port.

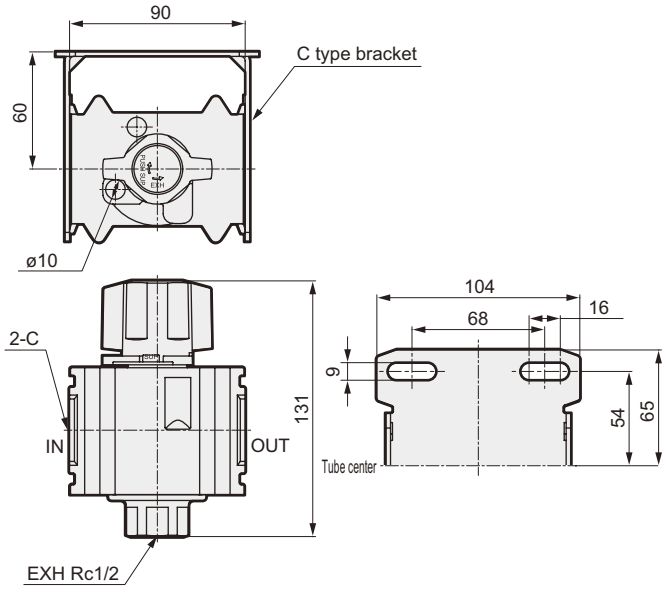
Descriptions	C
V6010-20-W	Rc3/4
V6010-25-W	Rc1

● Adaptor attachment



Piping adapter set is attached at shipment.

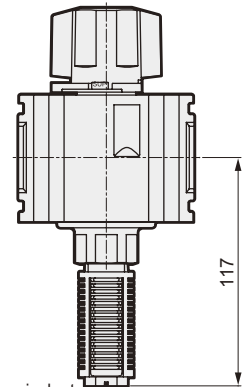
● C type bracket (-BW) Part model no.: B620



The C type bracket is attached at shipment.

C type bracket and piping adapter set can not be used together.

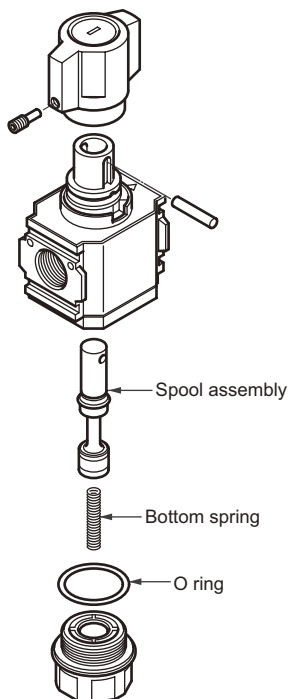
● Silencer (-S) Part model no.: SLW-15A



The silencer is attached at shipment.

The silencer is made of flame-resistant resin equivalent to UL94 Standard V-O, but the element is not.

Shut-off valve (V3000-W, V3010-W) optional parts drawing



Spool assembly

(Sets of spool assembly and bottom spring)

Model	Spool assembly model no.
V3000, V3010	V3000-SPOOL