

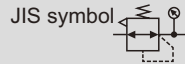


Regulator standard white Series

# R1000/R2000/R3000 R4000/R6000/R8000-W Series

Compact, pressure gauge embedded.

Port size: 1/8 to 1



## Specifications

Descriptions	R1000-W	R2000-W	R3000-W	R4000-W	R6000-W	R8000-W
Appearance						
Working fluid	Compressed air					
Max. working pressure MPa	1.0					
Withstanding pressure MPa	1.5					
Ambient temperature range °C	5 to 60					Note 1
Set pressure range MPa	0.05 to 0.85					
Relief	With relief mechanism					
Port size Rc, NPT, G	1/8, 1/4 (3/8 uses an adapter)	1/4, 3/8 (1/2 uses an adapter)	1/4, 3/8 (1/2 uses an adapter)	1/4, 3/8, 1/2 (3/4 uses an adapter)	3/4, 1 (1 1/4 uses an adapter)	3/4, 1 (1 1/4 uses an adapter)
Product weight kg	0.16	0.31	0.45	0.7	1.0	1.6
Standard accessories	Pressure gauge, nut for panel mount					Pressure gauge

Note 1: The working temperature range of the pressure switch with indicator PPD assembly "R1" is 5 to 50°C.

### Ozone specifications

(Page 183)

R\*000- ... -W ... - **P11**

### Clean room specifications

(Catalog No. CB-033SA)

● Dust generation preventing structure for use in cleanrooms

R\*000- ..... - **P7\***

## How to order

\* Refer to page 9 for explanation of an option.



A Model no.					
R	R	R	R	R	R
1	2	3	4	6	8
0	0	0	0	0	0
0	0	0	0	0	0
0	0	0	0	0	0

A Model no.

B Port size

C Port thread type

D Option

E Display unit

F Piping adapter set (attached)		A Model no.					
Symbol	Descriptions	R	R	R	R	R	R
<b>B Port size</b>		1	2	3	4	6	8
6	1/8	●					
8	1/4	●	●	●	●		
10	3/8		●	●	●		
15	1/2				●		
20	3/4					●	●
25	1					●	●
<b>C Port thread type</b>		<b>Note 1</b>					
Blank	Rc thread	●	●	●	●	●	●
N	NPT thread	●	●	●	●	●	●
G	G thread	●	●	●	●	●	●
<b>D Option</b>		<b>Note 2</b>					
Pressure range	Blank	0.05 to 0.85MPa	●	●	●	●	●
	L	0.05 to 0.35MPa	●	●	●	●	●
Relief	Blank	With relief mechanism	●	●	●	●	●
	N	Nonrelief type	●	●	●	●	●
Pressure gauge	Blank	With standard pressure gauge (G401-W)	●	●	●	●	●
	T	Without pressure gauge (a pressure gauge port (Rc1/4) is assembled with sealed)	●	●	●	●	●
	T8	Pressure gauge attached (a pressure gauge port (Rc1/4) is assembled by open.)	●	●	●	●	●
	T6 Note 3	Digital pressure sensor PPX attached option	●	●	●	●	●
Flow direction	Blank	Standard flow (left → right)	●	●	●	●	●
	X1	Reverse flow (right → left)	●	●	●	●	●
<b>E Display unit</b>							
Blank	MPa display, Rc thread	●	●	●	●	●	●
J1	MPa display, NPT, G thread	●	●	●	●	●	●
<b>F Piping adapter set (attached)</b>		<b>Note 4 Pages 151 to 153</b>					
Blank	Not attached	●	●	●	●	●	●
A6*W	1/8 piping adapter set	●					
A8*W	1/4 piping adapter set	●	●	●	●		
A10*W	3/8 piping adapter set	●	●	●	●		
A15*W	1/2 piping adapter set		●	●	●		
A20*W	3/4 piping adapter set				●	●	●
A25*W	1 piping adapter set					●	●
A32*W	1 1/4 piping adapter set					●	●
<b>* Adaptor screw type</b>							
Blank	Rc thread	●	●	●	●	●	●
N	NPT thread	●	●	●	●	●	●
G	G thread	●	●	●	●	●	●
<b>G Attachment (attached)</b>		<b>Pages 148, 194</b>					
Blank	Not attached	●	●	●	●	●	●
BW	C type bracket	●	●	●	●	●	●
B3W Note 5	L type bracket	●	●	●	●		
B4W	B type bracket		●				
G49P	G49D-8-P10 (L: G49D-8-P04)	●	●	●	●	●	●
G59P	G59D-8-P10 (L: G59D-8-P04)	●	●	●	●	●	●
G40P	G40D-8-P10 (L: G40D-8-P04)	●	●	●	●	●	●
G50P	G50D-8-P10 (L: G50D-8-P04)	●	●	●	●	●	●
G41P	G41D-8-P10 (L: G41D-8-P04)	●	●	●	●	●	●
G52P	G52D-8-P10 (L: G52D-8-P10)	●	●	●	●	●	●
R2 Note 3	Digital pressure sensor: PPX-R10N-6M	●	●	●	●	●	●

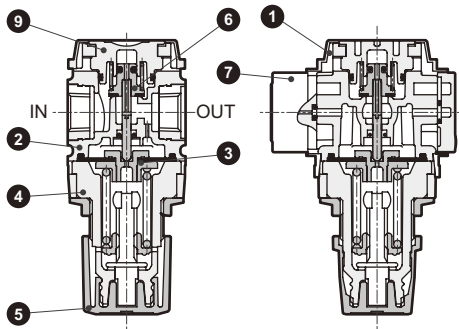
### ⚠ Note on model no. selection

- Note 1: When G threads or NPT threads are selected, the IN, OUT, and gauge port are available.
- Note 2: When selecting options for several items, list options in order from the top.
- Note 3: When option "T6" is selected, only "blank" or "R2" is selected for the pressure gauge (enclosed). The digital pressure sensor PPX mounting port (Rc1/8) is assembled ventilated.
- Note 4: The piping adapter set and C type bracket cannot be used together.
- Note 5: Refer to Section 2. Regulator, in "⚠ CAUTIONS for Installation and Adjustment" (page 14) for details on mounting the L-type bracket.
- Note 6: If NPT is selected for the piping thread type, a NPT pressure gauge is enclosed. If Rc or G thread is selected, an R thread pressure gauge is enclosed.

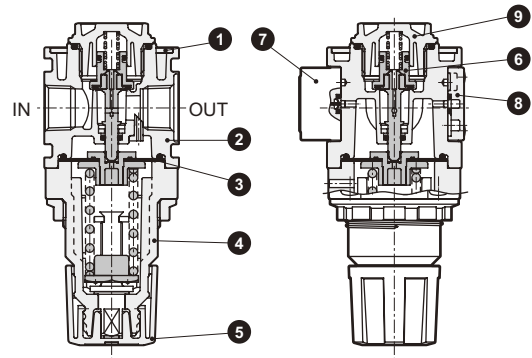


## Internal structure and parts list

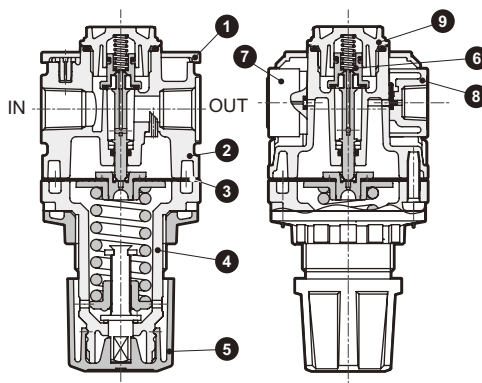
● R1000-W



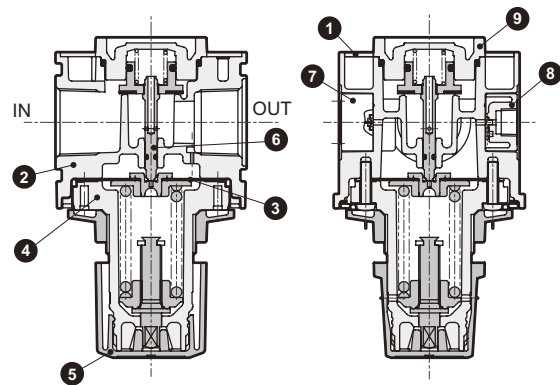
● R2000-W



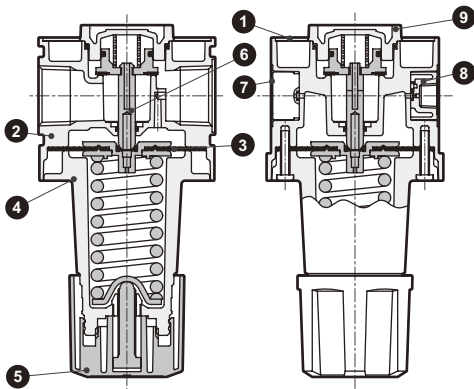
● R3000-W/R4000-W



● R6000-W



● R8000-W



No.	Part name	Material					
		R1000-W	R2000-W	R3000-W	R4000-W	R6000-W	R8000-W
1	Plate cover	ABS resin					
2	Body	Polyamide resin, steel	Aluminum alloy die-casting	Aluminum alloy die-casting			
3	Diaphragm assembly	Polyacetal resin nitrile rubber		Zinc alloy die-casting, nitrile rubber Note 3			
4	Guard	Polyamide resin	PBT resin				Aluminum alloy die-casting
5	Knob	Polyacetal resin					
6	Valve assembly	Brass, hydrogen nitrile rubber (polyacetal resin: R2000, R3000, 4000, 8000)					
7	Pressure gauge assembly	PBT resin, nitrile rubber, polyacetal resin, polycarbonate resin, brass, steel					
8	Gauge plug assembly	Polyamide resin, nitrile rubber, steel					
	Blanking plug assembly Note 1	PBT resin, nitrile rubber, copper		-		-	-
9	Bottom plug Note 4	Polyacetal resin			Aluminum alloy die-casting		

Note 1: A blank plug is enclosed with the R1000-W standard type.

Note 2: Refer to page 124 for repair parts.

Note 3: Aluminum is added for the R6000-W low-pressure type.

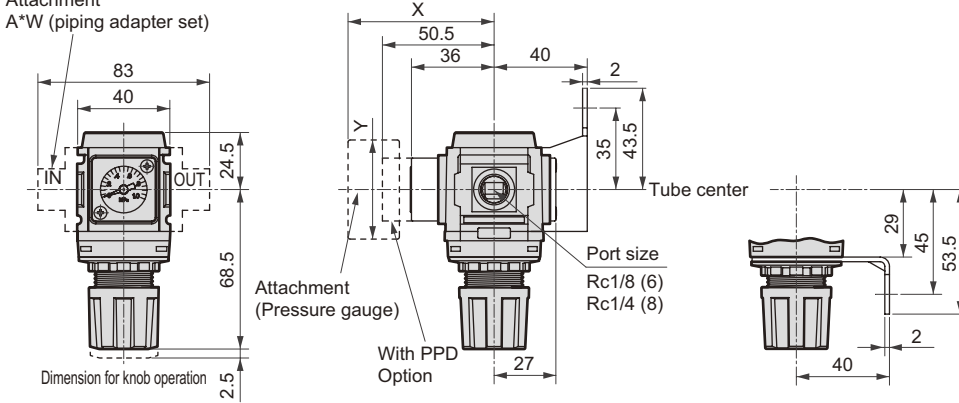
Note 4: The RM3000-W and RM4000-W Series material is die cast aluminum alloy.

# Regulator series

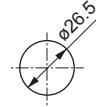
## Dimensions

### ● R1000-W

Attachment  
A\*W (piping adapter set)

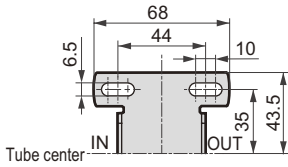


Panel cut dimension

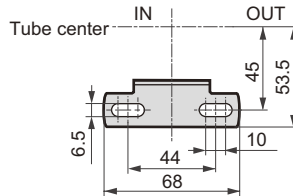


Panel plate thickness: MAX. 6mm

Attachment  
C type bracket (-BW)  
Part model no.: B120



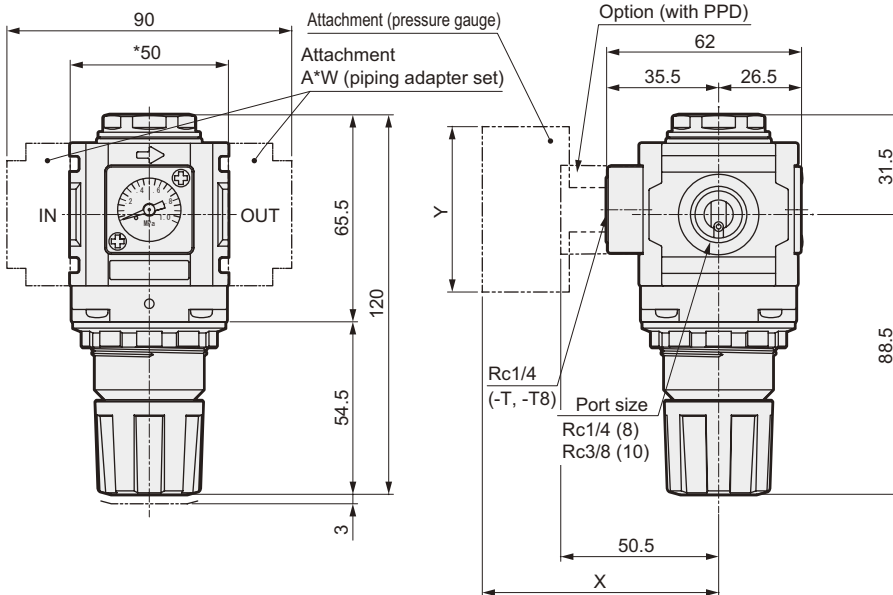
L type bracket (-B3W)  
Part model no.: B130



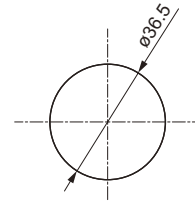
Pressure gauge attached optional dimensions table

Attached pressure gauge	X	Y
G49P	(73.5)	ø43.5
G59P	(76)	ø52
G40P	(75.5)	ø42.5
G50P	(75.5)	ø52.5
G41P	(74)	ø42
G52P	(86)	ø52.5
R2	(74)	*30

### ● R2000-W



Panel cut dimension

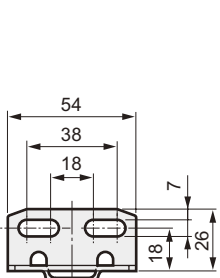


Panel plate thickness: MAX. 4mm

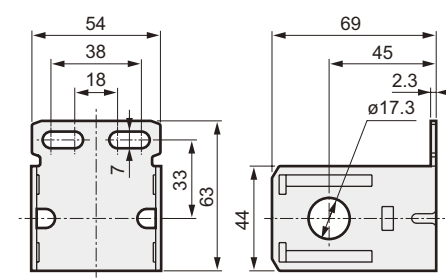
Pressure gauge attached optional dimensions table

Attached pressure gauge	X	Y
G49P	(73)	ø43.5
G59P	(75.5)	ø52
G40P	(75)	ø42.5
G50P	(75)	ø52.5
G41P	(73.5)	ø42
G52P	(85.5)	ø52.5
R2	(73)	*30

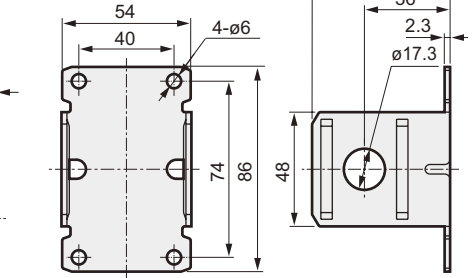
● L type bracket (-B3W)  
Part model no.: B230



● C type bracket (-BW)  
Part model no.: B220

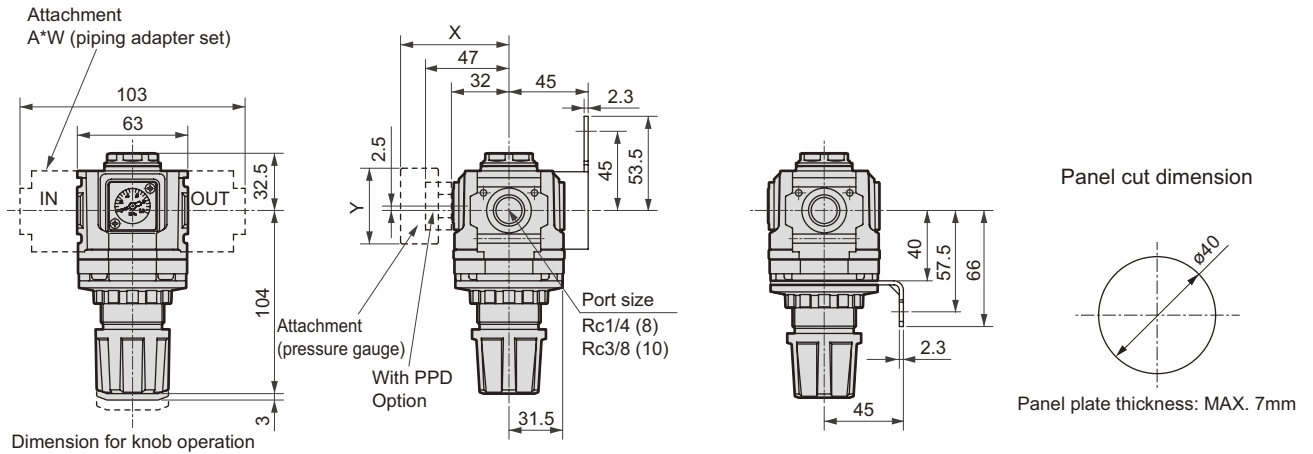


● B type bracket (-B4W)  
Part model no.: B240



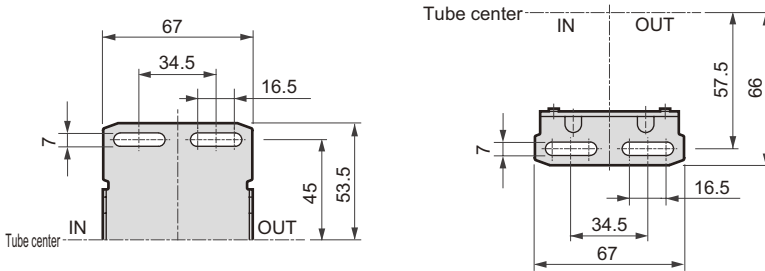
### Dimensions

#### ● R3000-W



• Attachment (C type bracket)  
C type bracket (-BW)  
Part model no.: B320

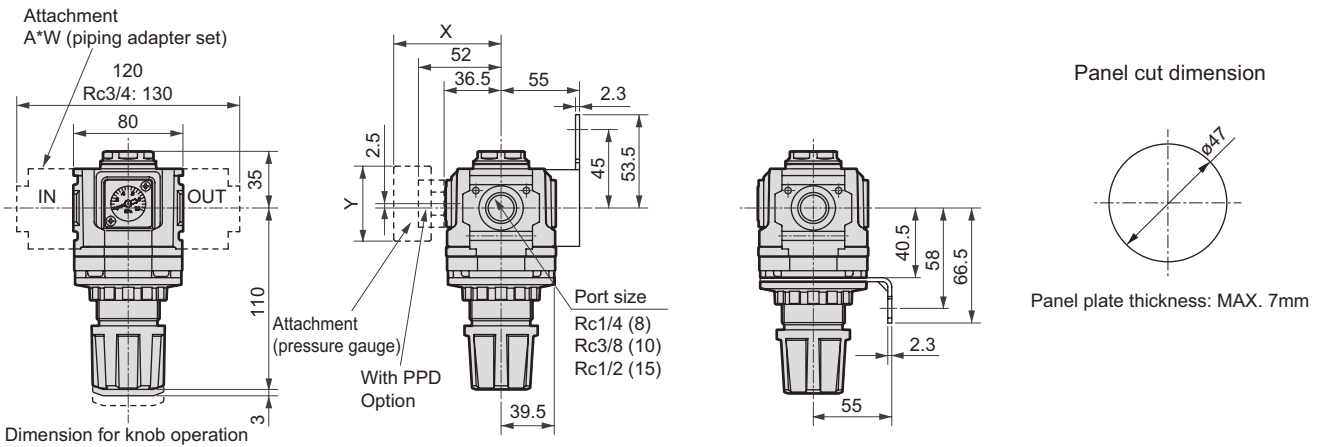
L type bracket (-B3W)  
Part model no.: B330



Pressure gauge attached optional dimensions table

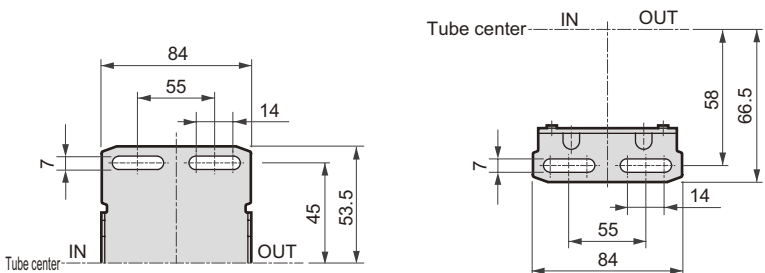
Attached pressure gauge	X	Y
G49P	(69.5)	ø43.5
G59P	(72)	ø52
G40P	(71.5)	ø42.5
G50P	(71.5)	ø52.5
G41P	(70)	ø42
G52P	(82)	ø52.5
R2	(69.5)	*30

#### ● R4000-W



• Attachment  
C type bracket (-BW)  
Part model no.: B420

L type bracket (-B3W)  
Part model no.: B430



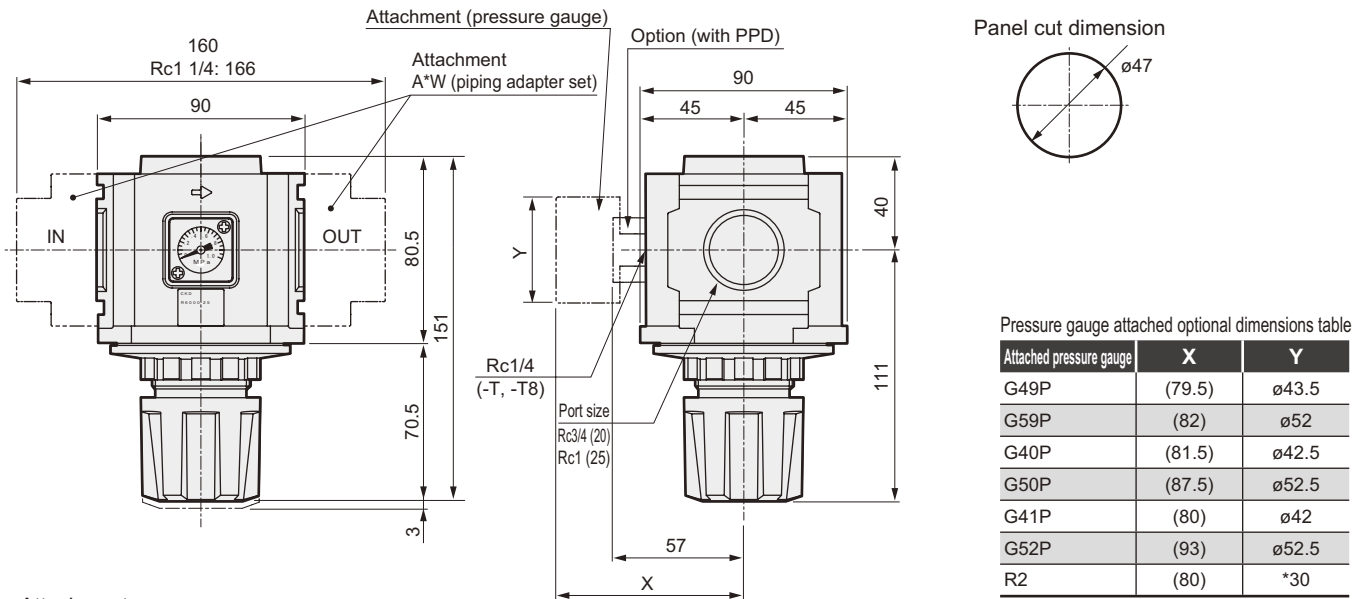
Pressure gauge attached optional dimensions table

Attached pressure gauge	X	Y
G49P	(74.5)	ø43.5
G59P	(77)	ø52
G40P	(76.5)	ø42.5
G50P	(76.5)	ø52.5
G41P	(75)	ø42
G52P	(86)	ø52.5
R2	(75)	*30

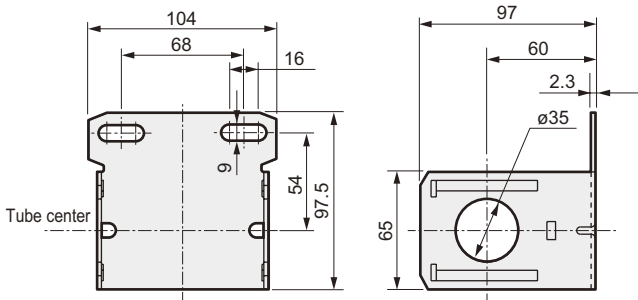
# Regulator Series

## Dimensions

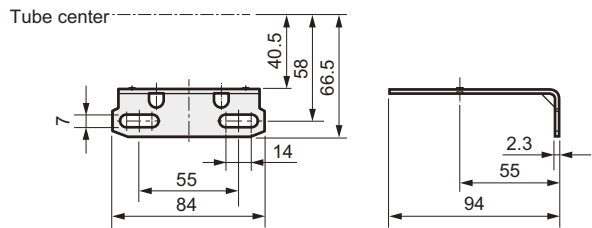
### ● R6000-W



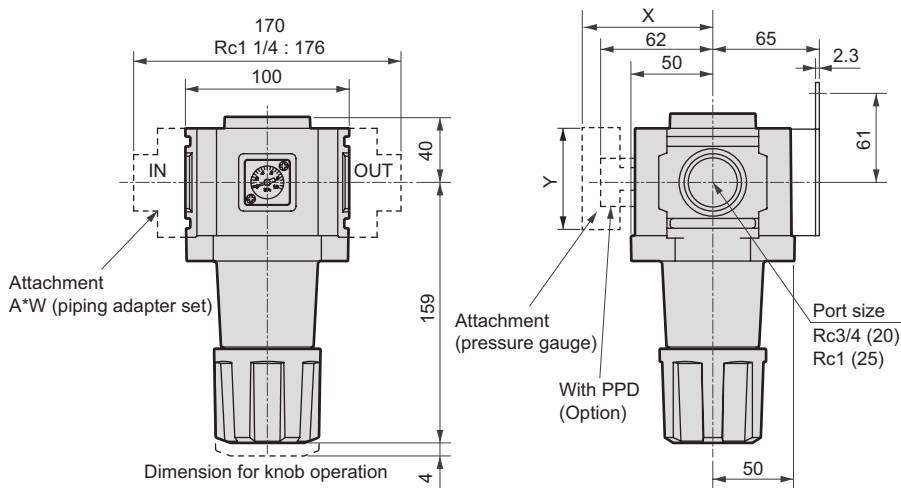
· Attachment  
C type bracket (-BW)  
Part model no.: B620



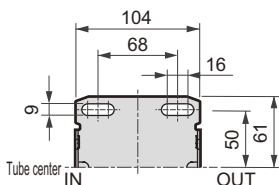
L type bracket (-B3W)  
Part model no.: B430



### ● R8000-W



· Attachment  
C type bracket (-BW)  
Part model no.: B820



Pressure gauge attached optional dimensions table

Attached pressure gauge	X	Y
G49P	(84.5)	ø43.5
G59P	(87)	ø52
G40P	(86.5)	ø42.5
G50P	(86.5)	ø52.5
G41P	(85)	ø42
G52P	(98)	ø52.5
R2	(85)	*30