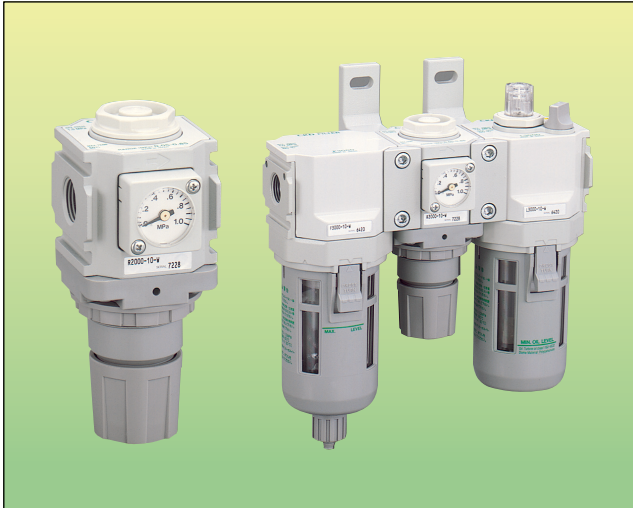


# Modular type compact regulator R2000/R2100 White Series



### Overview

R2000/2100 White Series are general purpose regulators with integrated pressure gauge. These are compatible with 3000/4000 Series.

### Features

- The body matches to any white equipment.
- Compact and large flow rate  
Max. flow rate in class 2.5 m<sup>3</sup>/min. (ANR)
- Pressure gauge integrated  
Front dead space reduced
- Filter and oil mist filter are available depending on usage flow rate  
Filter F3000/F4000 Series  
Oil mist filter M3000/M4000 Series
- Various bracket available  
Rear side installation: L type bracket, C type bracket  
Bottom side installation: B type bracket

### Specifications

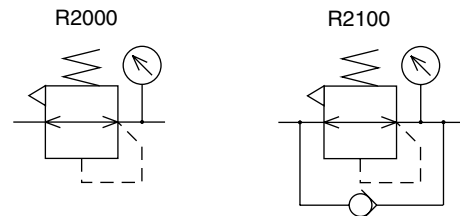
Model no.	R2000-W	R2100-W
Working fluid	Compressed air	
Max. working pressure MPa	1.0	
Withstanding pressure MPa	1.5	
Working temperature °C	5 to 60	
Setting pressure range (Note 2) MPa	0.05 to 0.85	
Reverse mechanism	No	Yes
Port size Rc, G and NPT	1/4, 3/8 (1/2 is for an adaptor.)	
Product weight kg	0.31	
Standard accessories	Pressure gauge and nut for panel mount	

R2100 (reverse regulator) cautions

Note 1: Set the primary pressure so as to be 0.05MPa higher than the secondary pressure.

Note 2: For the selection guide, surely check the setting pressure on the back pressure.

### JIS symbol



### How to order



A Model no.		B Port size		C Option Note 1		D Display unit		E Attachment Note 5	
R2000	Regulator	8	Rc1/4	Blank	0.05 to 0.85MPa	Blank	MPa display and Rc thread	A8*W	1/4 piping adapter set
R2100	Reverse regulator	10	Rc3/8	L	0.05 to 0.35MPa	J1	MPa display NPT and G thread	A10*W	3/8 piping adapter set
		8G	G1/4	Blank	Relief type			A15*W	1/2 piping adapter set
		10G	G3/8	N	Nonrelief type			<b>*Adaptor thread type</b>	
		8N	1/4NPT	Blank	With standard pressure gauge (G401) Note 2			Blank	Rc thread
		10N	3/8NPT	T	Without pressure gauge (a gauge port is assembled with sealed.) Note 3			N	NPT thread
				T8	Round pressure gauge attached (a gauge port is assembled by open.)			G	G thread
				R1	Pressure switch PPD with display assembled Note 4			BW	C type bracket
				X1	IN / OUT reverse flow direction (right⇒left)			B3W	L type bracket
								B4W	B type bracket
								G49P	G49D-8-P10 Note 2
								G59P	G59D-8-P10 Note 2
								G40P	G40D-8-P10 Note 2
								G50P	G50D-8-P10 Note 2
								G41P	G41D-8-P10 Note 2

Note 1: When selecting options, indicate symbols from the top.

Note 2: If selected "L" in pressure range section, the pressure gauge for low pressure is provided (0 to 0.4MPa).

Note 3: If selected "T" in pressure gauge section, gauge plug is assembled instead of pressure gauge.

Note 4: Working temperature becomes 5 to 50°C. PPD is black.

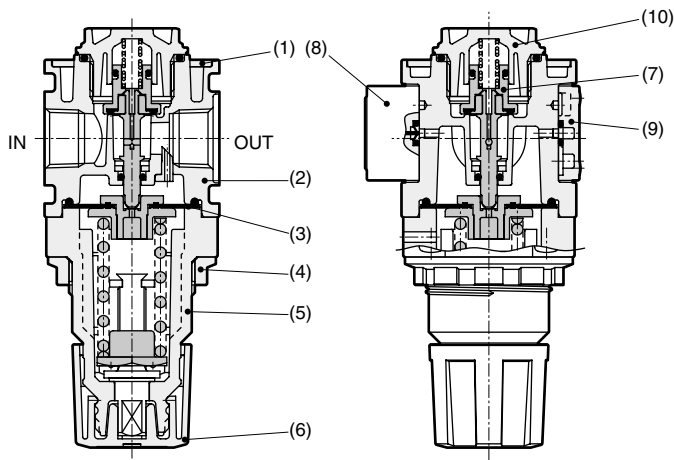
Note 5: Piping adapter set and C type bracket cannot be used together.

**⚠** Refer to the "Safety precautions" on the back of this catalog before starting use.

# R2000·R2100 Series

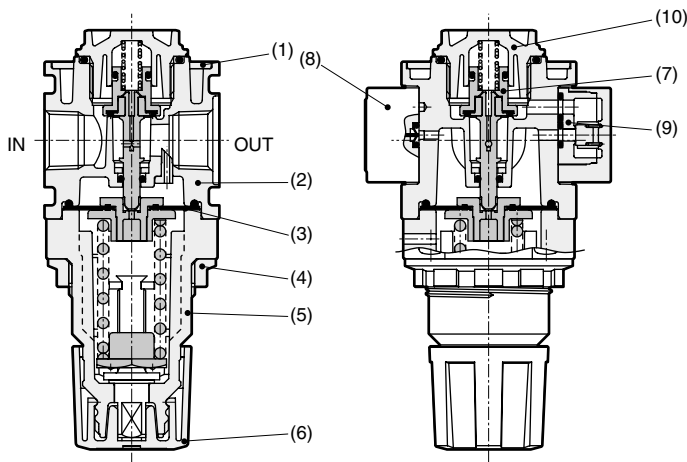
## Internal structure and parts list

### ● R2000-W



No.	Parts name	Material
(1)	Plate cover	ABS resin
(2)	Body	Aluminum alloy die-casting
(3)	Diaphragm assembly	Polyacetal resin and nitrile rubber
(4)	Mounting nut	Polyacetal resin
(5)	Guard	PBT resin
(6)	Knob	Polyacetal resin
(7)	Valve assembly	Brass, hydrogen nitrile rubber, polyacetal resin
(8)	Pressure gauge assembly	PBT resin, nitrile rubber, polyacetal resin, polycarbonate resin, brass, steel
(9)	Blanking plug assembly	PBT resin, nitrile rubber, steel
(10)	Bottom plug	Polyacetal resin

### ● R2100-W



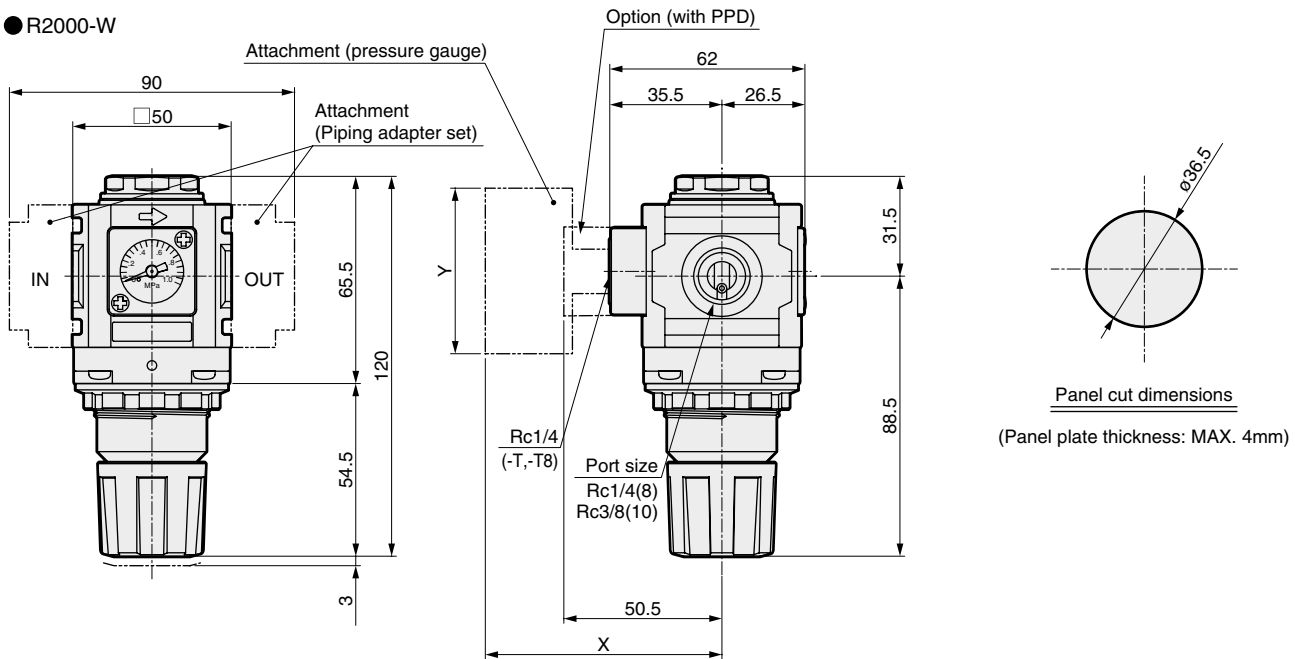
No.	Parts name	Material
(1)	Plate cover	ABS resin
(2)	Body	Aluminum alloy die-casting
(3)	Diaphragm assembly	Polyacetal resin, nitrile rubber
(4)	Mounting nut	Polyacetal resin
(5)	Guard	PBT resin
(6)	Knob	Polyacetal resin
(7)	Valve assembly	Brass, hydrogen nitrile rubber, polyacetal resin
(8)	Pressure gauge assembly	PBT resin, nitrile rubber, polyacetal resin, polycarbonate resin, brass, copper
(9)	Check valve total assemblies	PBT resin, nitrile rubber, stainless steel wire, steel
(10)	Bottom plug	Polyacetal resin

## Repair parts list

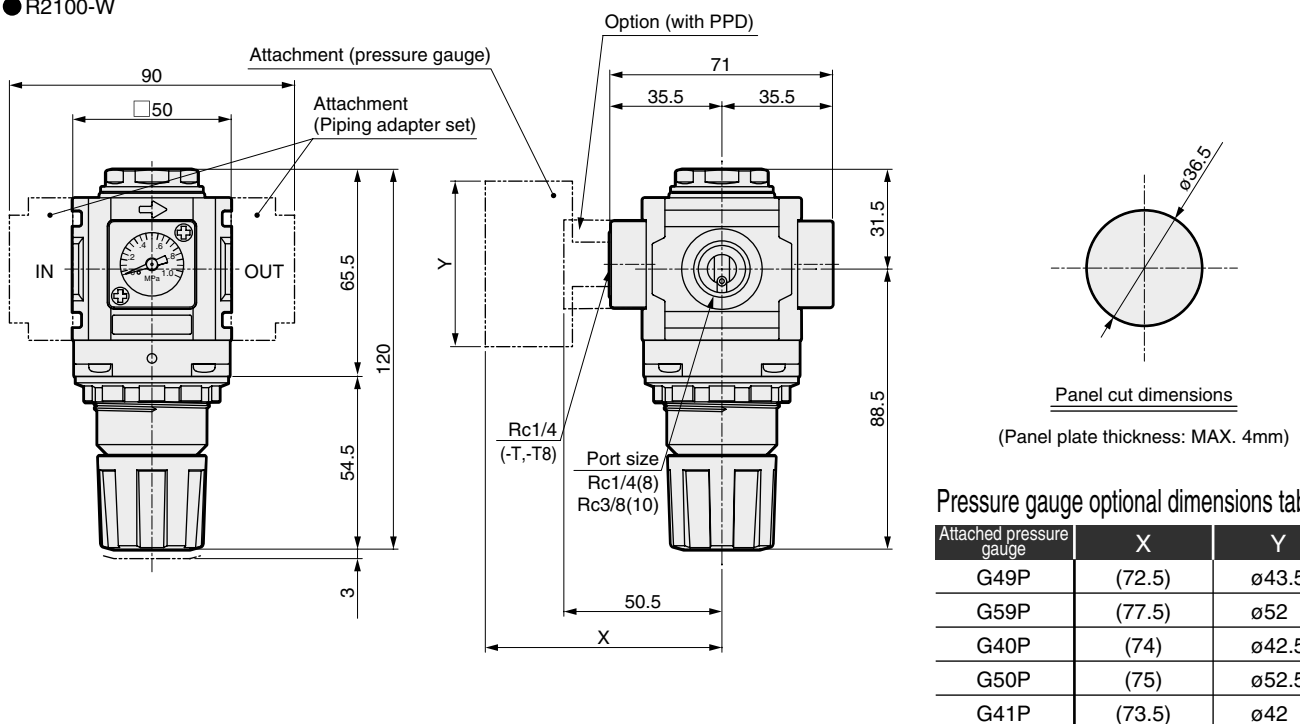
Repair parts	Model no.	R2000-W	R2100-W
Valve assembly (Valve assembly + bottom spring + bottom O ring)	R2000-W-VALVE-ASSY	○	○
Diaphragm assembly	Relief type	○	○
	Nonrelief type	○	○
Adjusting spring	Standard (0.05 to 0.85MPa)	○	○
	For low pressure (0.05 to 0.35MPa)	○	○
Check valve assembly for reverse regulator	R3100-W-CHECK-VALVE-ASSY	—	○
Repair kits (diaphragm assembly + valve assembly + bottom spring + bottom O ring)	Relief type	○	○
	Nonrelief type	○	○

### Dimensions

#### ● R2000-W

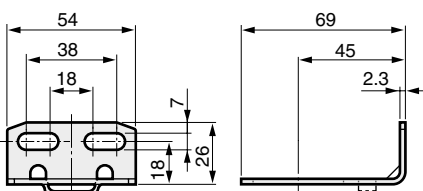


#### ● R2100-W



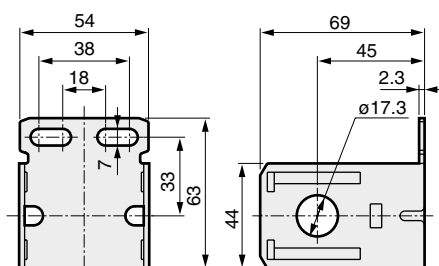
#### ● L type bracket (-B3W)

Parts model No.: B230-W



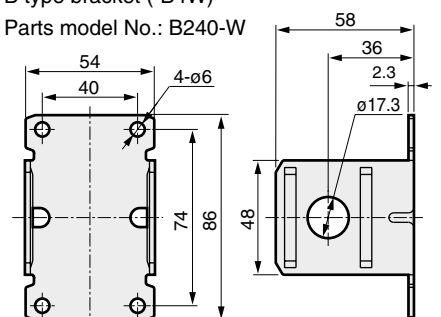
#### ● C type bracket (-BW)

Parts model No.: B220-W



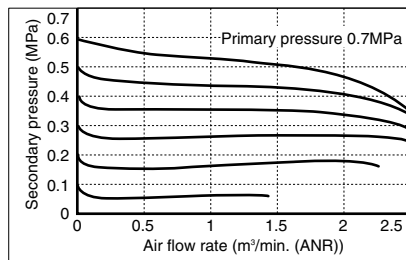
#### ● B type bracket (-B4W)

Parts model No.: B240-W

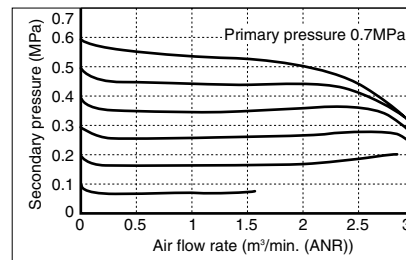


## Flow characteristics

### ● R2000-8-W/R2100-8-W

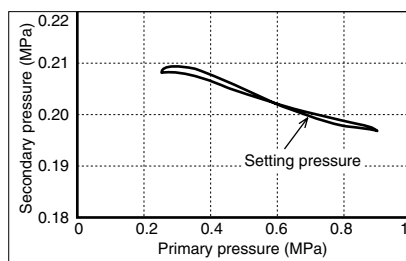


### ● R2000-10-W/R2100-10-W



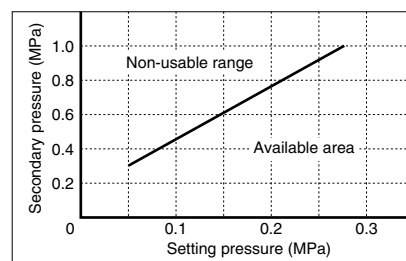
## Pressure characteristics

### ● R2000-W/R2100-W



## Set pressure range against back pressure

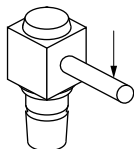
### ● R2100-W



## Safety precautions

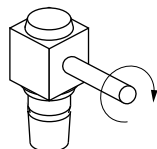
### ⚠ Warning

- Use the product in accordance with specifications.
- This product must keep away from the direct sun rays.
- Do not use this product in the atmosphere or place that corrosive gas, chemicals or sea water could contact with or makes adhesion.
- Avoid installation to a location where vibration and shock could occur.
- When installing, do not apply piping load or torque on the body. (Max. torque 15N·m)



### ⚠ Cautions

- When installing pressure gauge integrated type etc., tighten screw with the torque 0.6N·m or less.
- When installing pressure gauge screw-in type, tighten screw with the torque 15N·m or less.
- When piping, execute air flushing just before connecting to the component.
- When screwing pipe or joint etc. in, swarf of piping screw or seal material must not get into.
- Check the flow direction by arrow, then connect the pipe.
- Install air filter on the primary side.
- If pressurizing with the pressure over the range, pressure gauge could be broken.
- When connecting pipes, make tightening torque for joint 30N·m or less.



本製品及び関連技術を輸出される場合は、兵器・武器関連用途に使用されるおそれのないよう、ご注意ください。  
If the goods and their replicas, or the technology and software in this catalog are to be exported, laws require the exporter to make sure they will never be used for the development or the manufacture of weapons for mass destruction.

# CKD Corporation

<Website>

<http://www.ckd.co.jp/>

本社・工場  
営業本部  
Overseas Sales dept.  
東京支店  
名古屋支店  
大阪支店

〒485-8551 愛知県小牧市応時2-250  
〒485-8551 愛知県小牧市応時2-250  
2-250 Uji Komaki, Aichi 485-8551, Japan  
〒105-0013 東京都港区浜松町1-31-1 (文化放送メディアプラス4階)  
〒485-8551 愛知県小牧市応時2-250  
〒550-0001 大阪府西区土佐堀1-3-20

TEL(0568)77-1111 FAX(0568)77-1123  
TEL(0568)74-1303 FAX(0568)77-3410  
TEL(0568)74-1338 FAX(0568)77-3461  
TEL(03)5402-3620 FAX(03)5402-0120  
TEL(0568)74-1356 FAX(0568)77-3317  
TEL(06)6459-5770 FAX(06)6446-1945