

## Logic elements

type OR, AND, NOT, YES, MEMORY



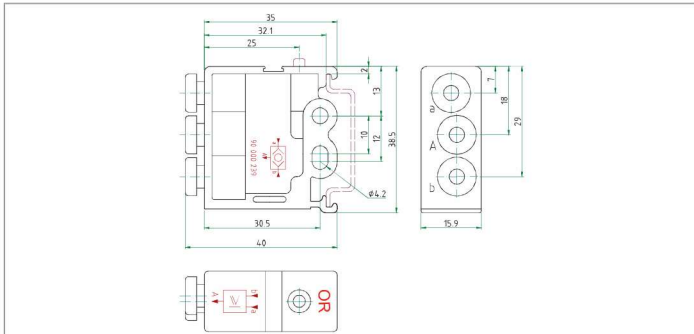
SPECIFICATION	
general	
construction	MEMORY spool valve, OR, AND, YES, NOT poppet valve with pressure indicator
operation	pneumatic
return	pneumatic, mechanical spring
connections	push in for PA-, PE-, PU-tubes, 4 mm outside diameter
ambient temperature	-10°C to 50°C
fluid temperature	-10°C to 50°C
humidity	0 - 100% rH
materials	body: POM raccords (push in connectors): brass silencer: sinterbronze internal parts: POM, aluminium anodised, brass seals: perbunan (NBR) springs: stainless steel
mounting	pick up to $\Omega$ -rail according to DIN 50022 or 2 holes for M4 screws
installation position	as required
pneumatic	
function	OR, AND, YES, NOT, MEMORY
fluid	filtered, lubricated or non lubricated air
pressure range	OR, AND: 1.5 to 8 bar YES, NOT: 0 to 8 bar MEMORY: 0 to 8 bar NOT: pressure drop point 0.4 bar at 6 bar working pressure
control pressure range	YES: 1 to 8 bar (minimal 3 bar at 8 bar working pressure) NOT: 1 to 8 bar MEMORY: 1.5 to 8 bar
nominal flow	QNn: 100NI/min ( $p_1=6\text{bar}$ , $\Delta p=1\text{bar}$ )
nominal diameter	DN 2.7 mm
frequency	$\leq 10/\text{sec}$
special solutions	seals of FPM or NBR

# Logic elements

type OR, AND, NOT, YES, MEMORY

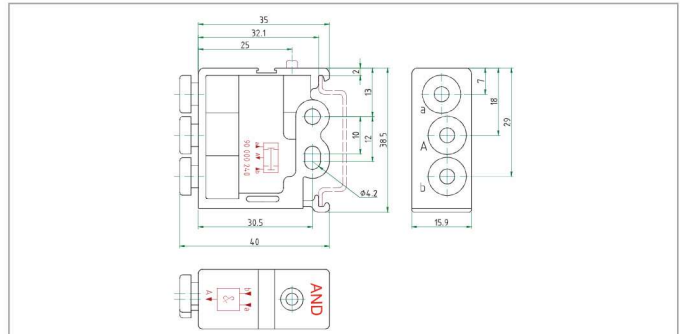


## OR - element



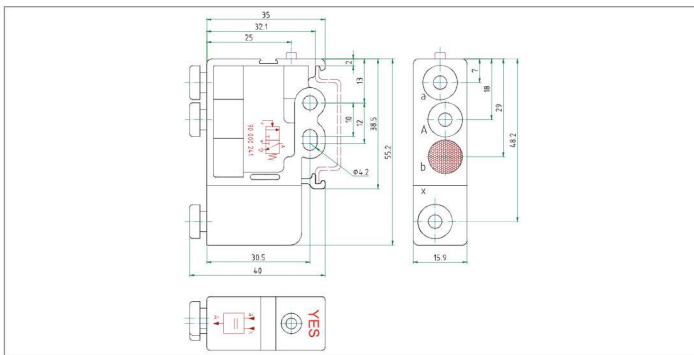
type	symbol	article-nr.	weight
OR		90 000 239	approx. 25g

## AND - element



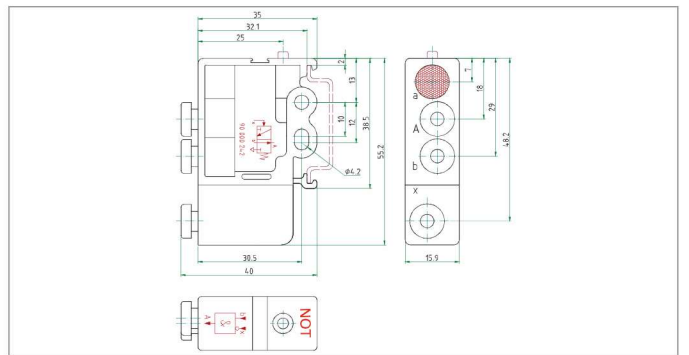
type	symbol	article-nr.	weight
AND		90 000 240	approx. 25g

## YES - element



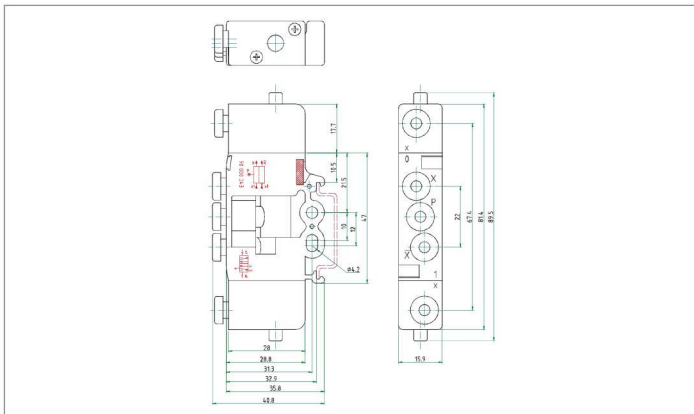
type	symbol	article-nr.	weight
YES		90 000 241	approx. 37g

## NOT - element



type	symbol	article-nr.	weight
NOT		90 000 242	approx. 37g

## MEMORY - element



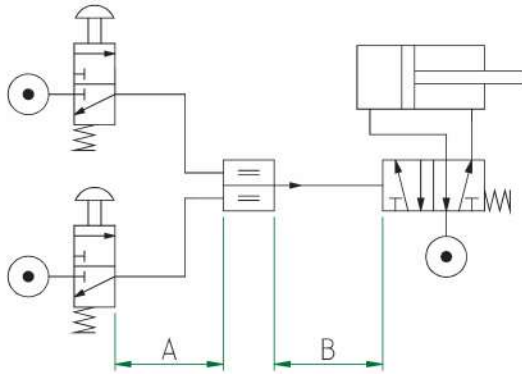
type	symbol	article-nr.	weight
MEMORY		90 000 243	approx. 52g



## Two-hand-safety valve, EN 574 type IIIA

BIBUS90000682

### Installation of two-hand-safety valve



cable length A	cable length B	tube dimension
max. 10m	max. 10m	Ø2.7 x 4mm

### Reaction time (p=6bar)

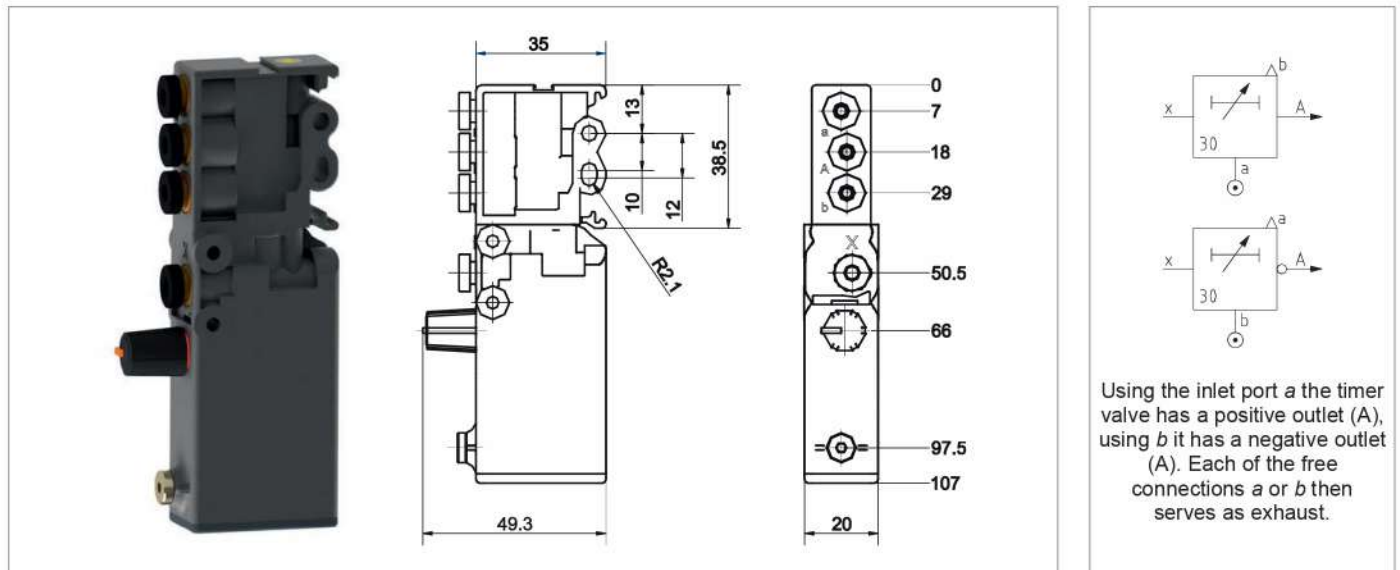
cable length A	cable length B	average reaction time
1m	1m	0.05s
1m	5m	0.20s
1m	10m	0.60s
5m	1m	0.10s
10m	1m	0.50s

Response time (definition): The time interval between the release of at least one of the control elements and the end of the output signal.

In the test procedure the end of the output signal was established by means of a pressure switch positioned at the end of the tube B. The operation of a control valve and associated cylinder (as shown in the schematic diagram) was not taken into account. The control valve in question had a 2.5mm orifice. The response time is dependent on the relevant configuration and must be determined accordingly in individual cases.

# Time delay valve

Dados técnicos BIMANUAL SEGURANÇA PT



SPECIFICATION	
general	
construction	poppet valve
operator	pneumatic
return	mechanical spring
connection	push-in connection for calibrated tubes 4 mm diameter
ambient temperature	-10°C to +50°C
fluid temperature	-10°C to +50°C
humidity	0 – 100% r.H.
material	body: POM inner parts: brass, POM, Delrin, PMMA seals: perbunan (NBR) springs: stainless steel
mounting	snap on to $\Omega$ -rail according to DIN 50022 or 2 holes for M4 screws
installation position	any position
pneumatic	
function	usable with 3/2 NC or 3/2 NO-outlet, according to use of inlet pressure a or b
fluid	filtered (20 $\mu$ m), lubricated or non lubricated compressed air
operating pressure	2,5 to 8 bar
nominal flow	QNn = 100 NI/min ( $p_1 = 6$ bar, $\Delta p = 1$ bar)
nominal diameter	DN 2.7 mm
repeat interval	< 0.5 seconds
repeating accuracy	$\pm 2\%$

type	article-nr.	description	time range (seconds)	colour button	weight (approx. g)
461	90 000 461	time delay valve	0 - 30	orange	75
747	90 000 747	time delay valve	0 - 10	orange	75